

GNSS(GPS+Beidou+Glonass) Antenna

Model : AKA350

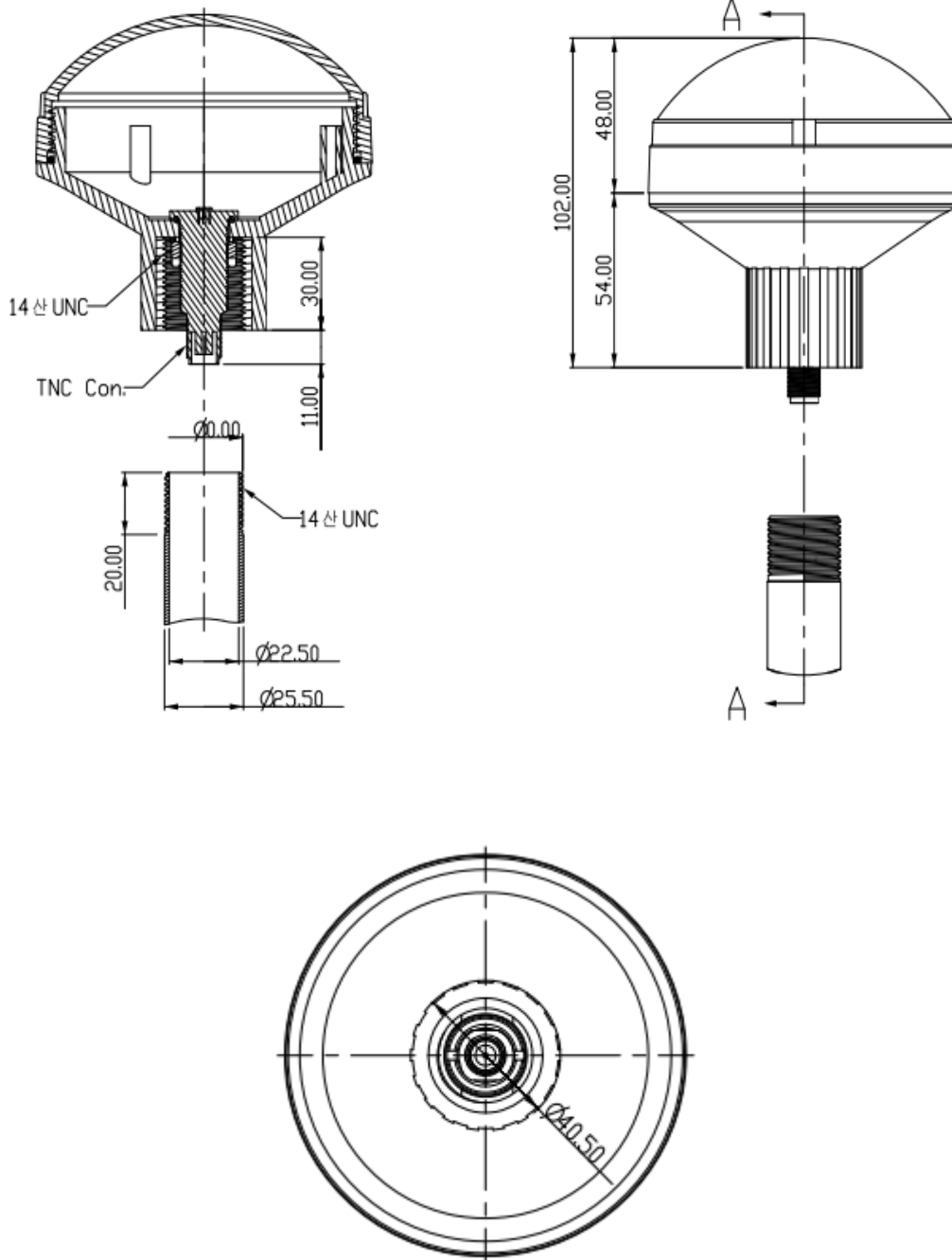


- . GPS(미국.L1)+Beidou(중국)+Glonass(러시아) 동시 수신
- . High Gain / Low Current 회로설계 / 방수 구조 / VSWR <1.5
- . Made In Korea. Designed by AscenKorea

SPECIFICATION

Frequency Range •GPS, Beidou 동시수신	Housing RF Connector •TNC Female
Frequency Gain •38 dB (Norminal)	Housing Diameter •105 mm
Polarization •RHCP	Housing Main Element Height •100 mm
DC Input Power •3.3V~5.0V	Support Pipe •Inner Diameter: 25mm
Current •8mA~20mA	Water Proof •IP55
Noise Figure(LNA Part) •<1.5dB	Weight •335g
Out Impedance •50Ohm (Return Loass:More than 15dB)	Environment temperature •Operating temperature: -20°C ~ 80°C
VSWR •<1.5	Accessories •Adaptor, Pipe

*Specification subject to change without prior notice



< Dimension >