

## GNSS(GPS+Glonass) Antenna

Model : AKA250

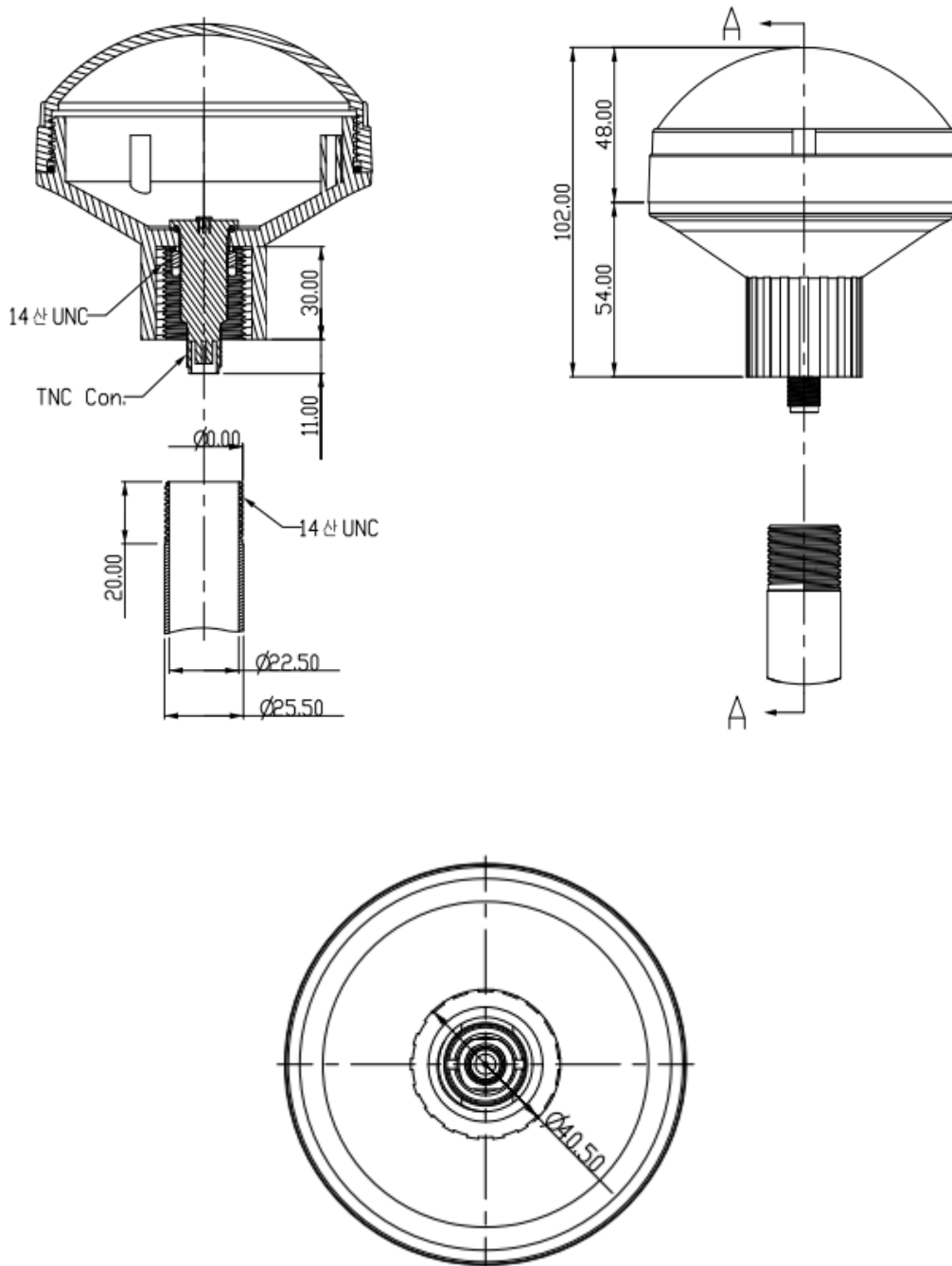


- . 고 정밀 GNSS 안테나/ GPS(미국)+Glonass(러시아) 동시 수신
- . High Gain / Low Current 회로설계 / 방수 구조 / VSWR < 1.5
- . Made In Korea. Designed by AscenKorea

### SPECIFICATION

<b>Frequency Range</b> ·GPS L1, Glonass Band	<b>Housing RF Connector</b> ·TNC Female
<b>Frequency Gain</b> ·38 dB (Norminal)	<b>Housing Diameter</b> ·105 mm
<b>Polarization</b> ·RHCP	<b>Housing Main Element Height</b> ·100 mm
<b>DC Input Power</b> ·3.3V~5.0V	<b>Support Pipe</b> ·Inner Diameter: 25mm
<b>Current</b> ·8mA~20mA	<b>Water Proof</b> ·IP55
<b>Noise Figure(LNA Part)</b> · < 1.5dB	<b>Weight</b> ·335g
<b>Out Impedance</b> ·50Ohm (Return Loass:More than 15dB)	<b>Environment temperature</b> ·Operating temperature: -20°C ~ 80°C
<b>VSWR</b> · < 1.5	<b>Accessories</b> ·Adaptor, Pipe

\*Specification subject to change without prior notice



< Dimension >