

Gms-b6 GNSS Module

Data Sheet(v1.1)

Table of Contents

1. Functional Description	3
1.1 Overview	3
1.2 Highlights and Features	4
1.3 System Block Diagram	5
1.4 Multi-tone active interference canceller	6
1.5 1PPS	6
1.6 AGPS Support for Fast TTFF (EPO™)	6
1.7 EASY™	6
1.8 AlwaysLocate™ (Advance Power Periodic Mode)	8
1.9 Embedded Logger function	8
2. Specifications	9
2.1 Mechanical Dimension	9
2.2 Recommended PCB pad Layout	10
2.3 Pin Configuration	11
2.4 Pin Assignment for Connector	12
2.5 Description of I/O Pin	13
2.6 Specification List	15
2.7 Absolute Maximum Ratings	16
2.8 Operating Conditions	16
3. Protocols	17
3.1 NMEA Output Sentences	17
3.2 MTK NMEA Command Protocols	23
3.3 Firmware Customization Services	24
4. Reference Design	25
4.1 Reference Design Circuit	25
5. Packing and Handling	26
5.1 Moisture Sensitivity	26
5.2 Tape Reel Packing Information	27
250pcs/Reel	27
5.3 Storage and Floor Life Guideline	31
5.4 Drying	31
5.5 ESD Handling	32
6. Reflow Soldering Temperature Profile	33
6.1 SMT Reflow Soldering Temperature Profile	33
6.2 Manual Soldering	37

1. Functional Description

1.1 Overview

The AscenKorea Gms-b6 module, which utilizes the MediaTek new generation GNSS Chipset MT3333, has the highest level of sensitivity (-165dBm) and Time-to-First Fix (TTFF) by precise GNSS signal processing. It supports both GPS and China BeiDou Navigation Satellite System (BDS) simultaneously positioning system.

Benefiting by the China BDS, It gives the most possible to work in a more precise positioning and better TTFF even under poor GPS signals.

It support up to 210 PRN channels with 99 search channels and 33 simultaneous tracking channels.

Up to 12 multi-tone active interference canceller (ISSCC2011 award), customer can have more flexibility in system design.

The Gms-b6 has a built-in BDS and GPS band patch antenna, which could simplified the customers integration of GNSS positioning system.

Application:

- ✓ Handheld Device
- ✓ PLB
- ✓ M2M application
- ✓ Asset management
- ✓ Surveillance



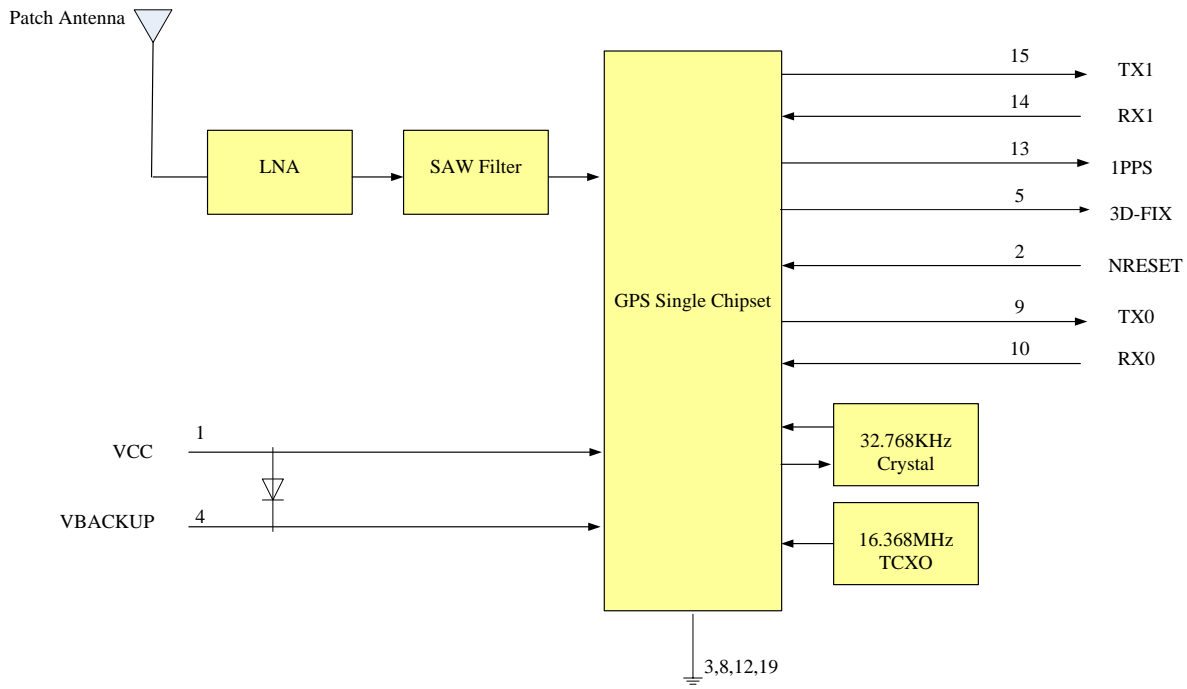
1.2 Highlights and Features

- ◆ 33 tracking/ 99 acquisition-channel GPS/BDS receiver
- ◆ Supports QZSS, SBAS(WAAS, EGNOS , MSAS) ranging
- ◆ Ultra-High Sensitivity: -165dBm
- ◆ High Update Rate: up to 10Hz^(Note1)
- ◆ 12 multi-tone active interference canceller² [ISSCC 2011 Award -Section 26.5]
(http://isscc.org/doc/2011/isscc2011.advanceprogrambooklet_abstracts.pdf)
- ◆ High accuracy 1-PPS timing support for Timing Applications (± 10 ns jitter)
- ◆ AGPS Support for Fast TTFF (EPO™ Enable 7 days/14 days)
- ◆ EASY™ ^(Note2): Self-Generated Orbit Prediction for instant positioning fix
- ◆ AlwaysLocate™ ^(Note2) Intelligent Algorithm (Advance Power Periodic Mode) for power saving
- ◆ Logger function Embedded²
- ◆ AscenKorea Firmware Customization Services
- ◆ Consumption current(@3.3V):
 - Acquisition for GPS+BDS: 29mA Typical
 - Tracking for GPS+BDS: 23mA Typical
- ◆ E911, RoHS, REACH compliant

Note 1: SBAS can only be enabled when update rate is less than or equal to 5Hz.

Note2: Some features need special firmware or command programmed by customer, please refer to AscenKorea documents “PMTK command List” and “Firmware check list_C33”.)

1.3 System Block Diagram



1.4 Multi-tone active interference canceller

Because different application (Wi-Fi , GSM/GPRS,3G/4G,Bluetooth)are integrated into navigation system , the harmonic of RF signal will influence the GPS reception , The multi-tone active interference canceller (abbr: MTAIC) can reject external RF interference which come from other active components on the main board , to improve the capacity of GPS reception without any needed HW change in the design .Module can cancel up to 12 independent channel interference continuous wave (CW)

1.5 1PPS

A pulse per second (1 PPS) is an electrical signal that very precisely indicates the start of a second. Depending on the source, properly operating PPS signals have an accuracy ranging $\pm 10\text{ns}$.

1 PPS signals are used for precise timekeeping and time measurement. One increasingly common use is in computer timekeeping, including the NTP protocol. A common use for the PPS signal is to connect it to a PC using a low-latency, low-jitter wire connection and allow a program to synchronize to it:

Module supplies the high accurate 1PPS timing to synchronize to GPS time after 3D-Fix.
A power-on output 1pps is also available for customization firmware settings.

1.6 AGPS Support for Fast TTFF (EPO™)

The AGPS (EPO™) supply the predicated Extended Prediction Orbit data to speed TTFF ,users can download the EPO data to GPS engine from the FTP server by internet or wireless network ,the GPS engine will use the EPO data to assist position calculation when the navigation information of satellites are not enough or weak signal zone . About the detail, please link [AscenKorea website](#) .

1.7 EASY™

The EASY™ is embedded assist system for quick positioning, the GPS engine will calculate and predict automatically the single emperies (Max. up to 3 days)when power on ,and save the predict information into the memory , GPS engine will use these information for positioning if no enough information from satellites , so the function will be helpful for positioning and TTFF improvement under indoor or urban condition , the Backup power (VBACKUP) is necessary .

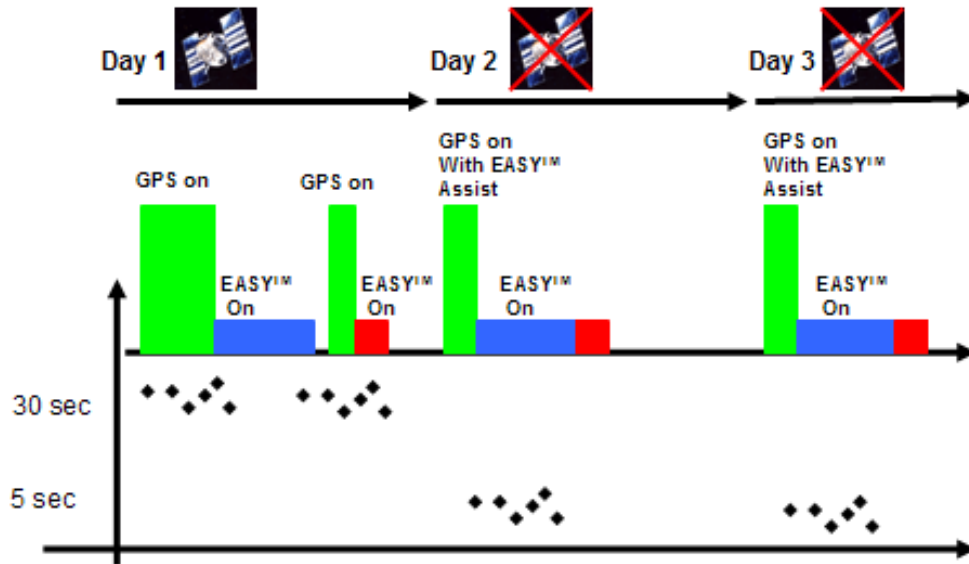


Figure 1.12-1 EASY System operation

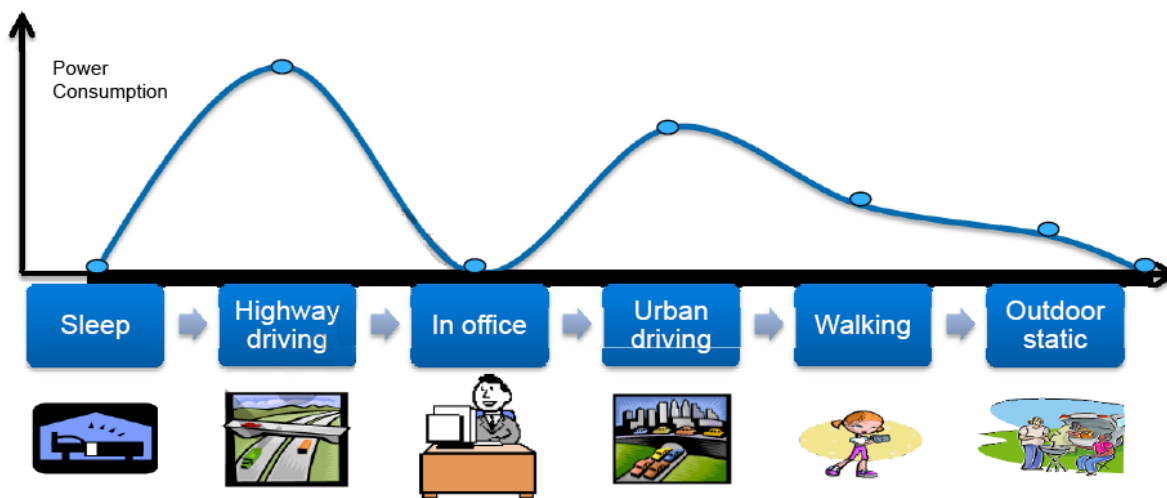
Please refer to the Fig 1.12-1, When GPS device great the satellite information from GPS satellites, the GPS engine automatically pre-calculate the predict orbit information for 3 days

The GPS device still can quickly do the positioning with EASY™ function under weak GPS signal.

1.8 AlwaysLocate™ (Advance Power Periodic Mode)

Gms-g6 is capable of periodic and AlwaysLocate™ modes for power saving. PMTK225 command is used to configure the GPS Module to program to operate in either mode. The periodic mode, based on the time interval given by the user via commands, the module switches between tracking and standby modes. AlwaysLocate™ is an intelligent controller of GPS Module periodic mode. Under this mode, GPS Module can adaptively adjust its on/off time, depending on the environment and motion conditions, to achieve best power conservation.

The following figure gives insight on power consumption under different use cases when AlwaysLocate™ mode is enabled. For command detail, please contact our sales staff at sales@ascen.co.kr for further services.



1.9 Embedded Logger function

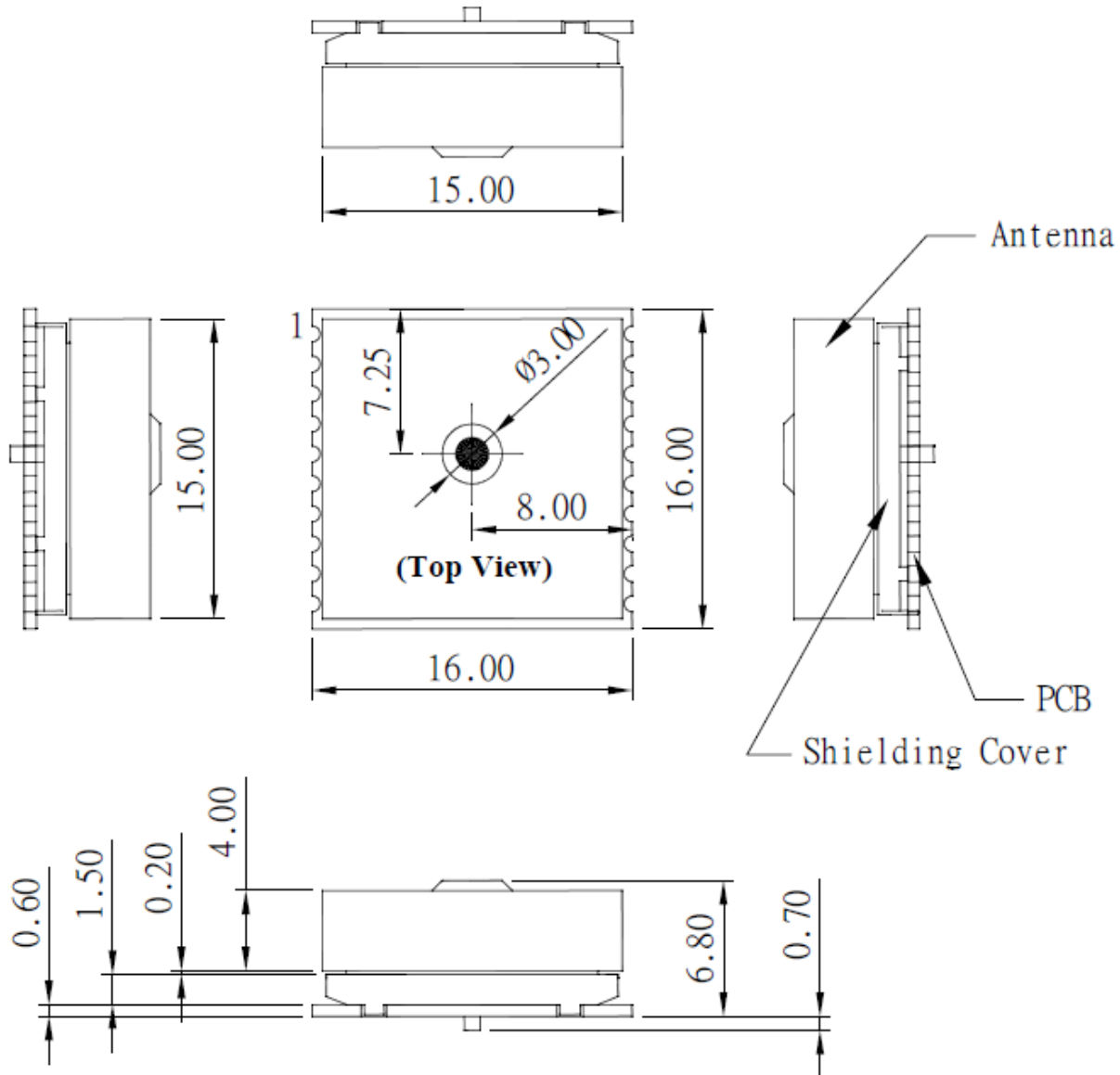
The Embedded Logger function don't need host CPU (MCU) and external flash to handle the operation, GPS Engine will use internal flash (embedded in GPS chipset) to log the GPS data (Data format : UTC, Latitude, longitude, Valid,Checksum), the max log days can up to 2 days under AlwaysLocate™ condition.

Note: Data size per log was shrunk from 24 bytes to 15 bytes.

2. Specifications

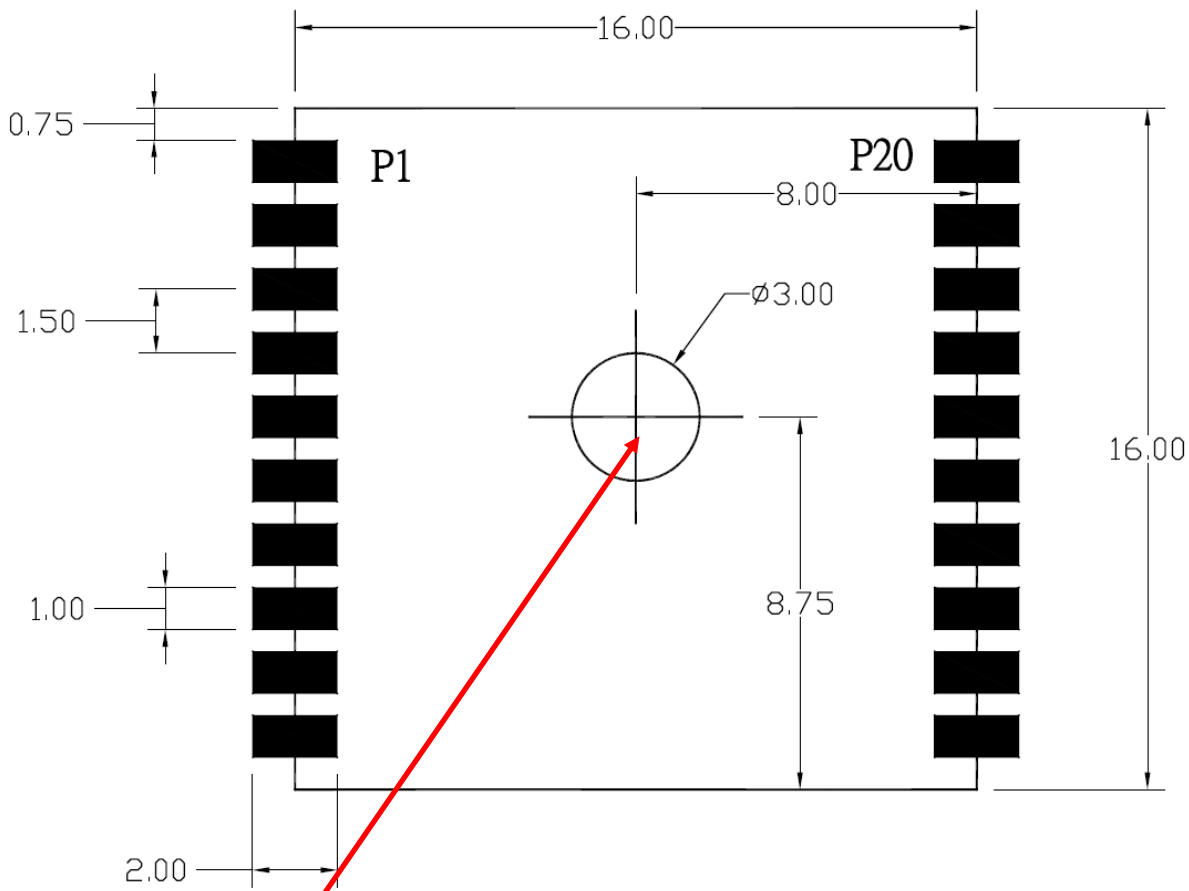
2.1 Mechanical Dimension

Dimension: (Unit: mm, Tolerance: +/- 0.2mm)



2.2 Recommended PCB pad Layout

(Unit: mm, Tolerance: 0.1mm)

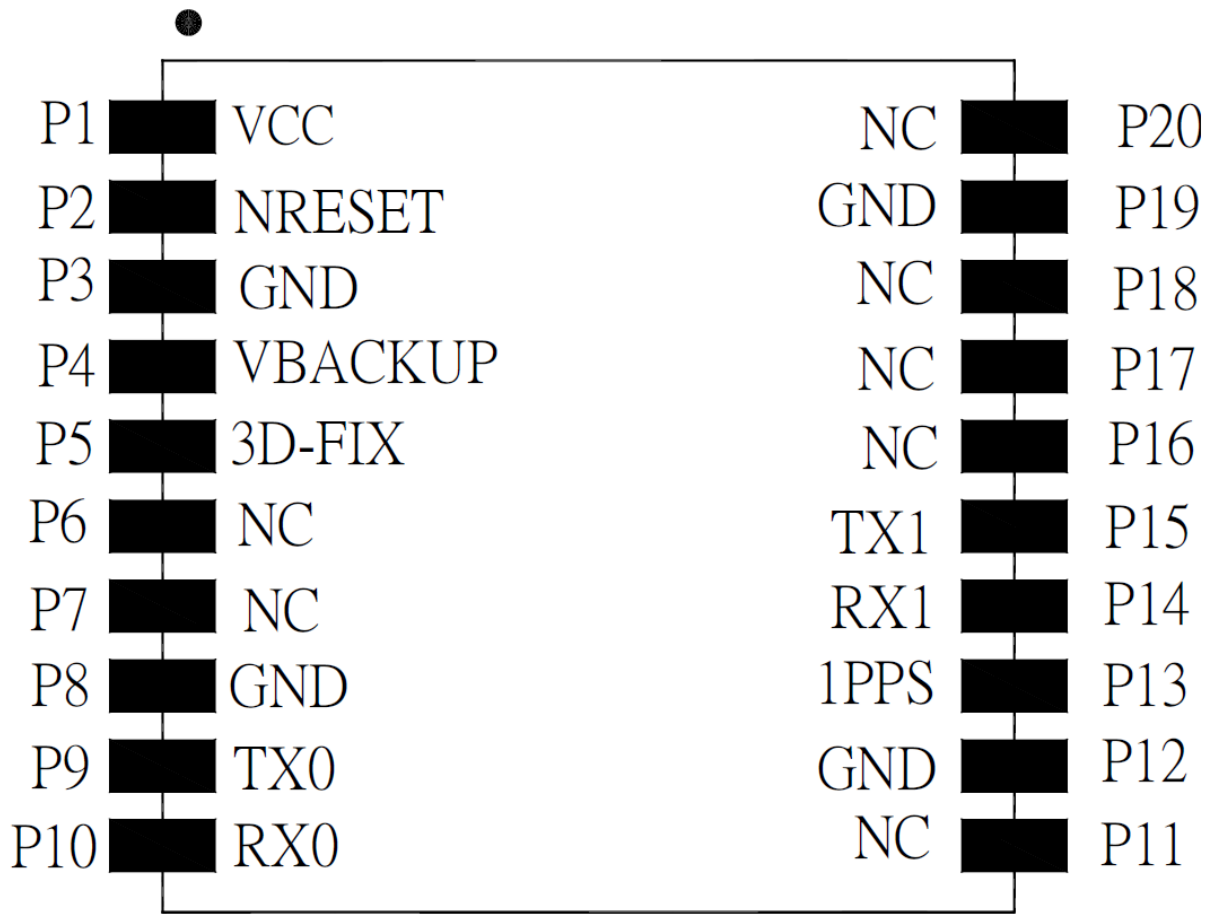


(Top view)

Note.

Place one hole (diameter =3.0mm)
under this module for the antenna pad.

2.3 Pin Configuration



(Top view)

2.4 Pin Assignment for Connector

Sides Pin	Name	I/O	Description & Note
1	VCC	PI	Main DC power input
2	NRESET	I	Reset Input, Low Active
3	GND	P	Ground
4	VBACKUP	PI	Backup power input for RTC & navigation data keep
5	3D-FIX	O	3D-Fix Indicator
6	NC	-	
7	NC	-	
8	GND	P	Ground
9	TX0	O	Serial Data Output 0 for NMEA output (TTL)
10	RX0	I	Serial Data Input 0 for Firmware update (TTL)
11	NC	-	
12	GND	P	Ground
13	1PPS	O	1PPS Time Mark Output 2.8V CMOS Level (Optional: customization definition)
14	RX1	I	Serial Data Input 1
15	TX1	O	Serial Data Output1
16	NC	-	
17	NC	-	
18	NC	-	
19	GND	P	Ground
20	NC	-	

2.5 Description of I/O Pin

VCC, Pin1,

The main DC power supply for the module. The voltage should be kept between from **3.0V to 4.3V**. The ripple must be limited under 50mVpp (Typical: 3.3V).

NRESET, Pin2,

Low active, it causes the module to reset. If not used, keep floating.

GND, Pin3, Pin8, Pin12, Pin19

Ground

VBACKUP, Pin4

This connects to the backup power of the GPS module. Power source (such as battery) connected to this pin will help the GPS chipset in keeping its internal RTC running when the main power source is turned off. The voltage should be kept between **2.0V~4.3V, Typical 3.0V**.

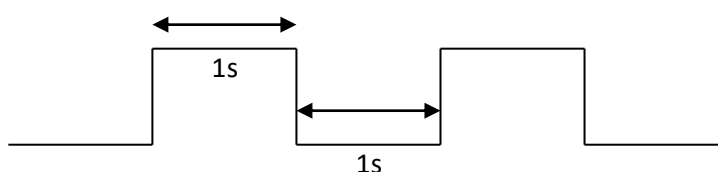
IF VBACKUP power was not reserved, the GPS module will perform a lengthy cold start every time it is powered-on because previous satellite information is not retained and needs to be re-transmitted.

If not used, keep open.

3D-FIX, Pin5

The 3D-FIX is assigned as a fix flag output. The timing behavior of this pin can be configured by custom firmware for different applications (Example: waking up host MCU). If not used, keep floating.

- Before 2D Fix
The pin should continuously output one-second high-level with one-second low-level signal



- After 2D or 3D Fix
The pin should continuously output low-level signal

Low



NC, Pin6, Pin7, Pin11, Pin16, Pin17, Pin18, Pin20

There are NC pins, they are not connected.

TX0, Pin9

This is the UART 0 transmitter of the module. It outputs GPS information for application.

RX0, Pin10

This is the UART0 receiver of the module. It is used to receive commands from system.

1PPS ,Pin13

This pin provides one pulse-per-second output from the module and synchronizes to GPS time.

Keep floating if not used.

RX1, Pin14

This is the UART1 receiver of the module. It is used for aiding. If not used, keep floating.

TX1, Pin15

This is the UART1 transmitter of the module. It is used for aiding. If not used, keep floating

2.6 Specification List

	Description
GNSS Solution	MTK MT3333
Frequency	GPS L1, 1575.42MHz BDS L1, 1561.098MHz
Sensitivity (GPS portion)	Acquisition: -148dBm, cold start Reacquisition: -163dBm Hot start Tracking: -165dBm
SV Number GPS BDS	Range #1~32 Range #1~15 (see 3. Protocols for details)
TTF (GPS, No. of SVs>4, C/N>40dB, PDop<1.5)	Hot start: 1 second typical Warm start: 33 seconds typical Cold start: 35 seconds typical, 60 seconds Max
Position Accuracy	Without aid:3.0m (50% CEP) DGPS(SBAS(WAAS,EGNOS,MSAS)):2.5m (50% CEP)
Velocity Accuracy	Without aid : 0.1m/s DGPS(SBAS(WAAS,EGNOS,MSAS)):0.05m/s
Timing Accuracy (1PPS Output)	±10 ns RMS
Altitude	Maximum 18,000m (60,000 feet)
Velocity	Maximum 515m/s (1000 knots)
Acceleration	Maximum 4G
Update Rate	1Hz (default), maximum 10Hz
Baud Rate	9600 bps (default)
DGPS	SBAS(default) [QZSS,WAAS, EGNOS, MSAS,GAGAN]
AGPS	Support
Power Supply	VCC : 3V to 4.3V ; VBACKUP : 2.0V to 4.3V
Current Consumption @ 3.3V,1Hz Update Rate	GPS+BDS 29mA acquisition, 23mA tracking
Working Temperature	-40 °C to +85 °C
Dimension	16 x16 x 6.8 mm, SMD
Weight	6g

2.7 Absolute Maximum Ratings

The voltage applied for VCC should not exceed 4.3VDC.

	Symbol	Min.	Typ.	Max.	Unit
Power Supply Voltage	VCC	3.0	3.3	4.3	V
Backup battery Voltage	VBACKUP	2.0	3.0	4.3	V

2.8 Operating Conditions

	Condition	Min.	Typ.	Max.	Unit
Operation supply Ripple Voltage	—	—	—	50	mVpp
RX0 TTL H Level	—	2.0	—	VCC	V
RX0 TTL L Level	—	0	—	0.8	V
TX0 TTL H Level	—	2.4	—	2.8	V
TX0 TTL L Level	—	0	—	0.4	V

3. Protocols

3.1 NMEA Output Sentences

Table-1 lists each of the NMEA output sentences specifically developed and defined by MTK for use within MTK products

Table-1: NMEA Output Sentence	
Option	Description
GGA	Time, position and fix type data.
GSA	GNSS receiver operating mode, active satellites used in the position solution and DOP values.
GSV	The number of GNSS satellites in view satellite ID numbers, elevation, azimuth, and SNR values.
RMC	Time, date, position, course and speed data. Recommended Minimum Navigation Information.
VTG	Course and speed information relative to the ground.

Table-2 lists NMEA output sentences in GPS system and GNSS system.

Table-2: NMEA Output Sentence for GPS and GNSS					
System	GGA	GSA	GSV	RMC	VTG
GPS	GPGGA	GPGSA	GPGSV	GPRMC	GPVTG
BDS	BDGGA	BDGSA	BDGSV	BDRMC	BDVTG
GNSS (GPS+BDS)	GNGGA	GPGSA +BDGSA	GPGSV +BDGSV	GNRMC	GNVTG

Example:

GPS system:

```
$GPGGA,064951.000,2307.1256,N,12016.4438,E,1,8,0.95,39.9,M,17.8,M,,*65
$GPGSA,A,3,29,21,26,15,18,09,06,10,,,,,2.32,0.95,2.11*00
$GPGSV,3,1,09,29,36,029,42,21,46,314,43,26,44,020,43,15,21,321,39*7D
$GPGSV,3,2,09,18,26,314,40,09,57,170,44,06,20,229,37,10,26,084,37*77
$GPGSV,3,3,09,07,,,26*73
$GPRMC,064951.000,A,2307.1256,N,12016.4438,E,0.03,165.48,260406,3.05,W,A*2C
$GPVTG,165.48,T,,M,0.03,N,0.06,K,A*37
```

BDS system:

```
$BDGGA,072844.000,2307.1257,N,12016.4330,E,1,5,1.56,23.1,M,17.8,M,,*7E
$BDGSA,A,3,07,14,10,06,08,,,,,,,,,1.83,1.56,0.96*19
$BDGSV,3,1,10,08,53,009,42,06,47,168,39,10,33,225,32,14,28,067,44*61
$BDGSV,3,2,10,09,24,189,33,07,23,194,31,05,18,258,,03,,,44*5F
$BDGSV,3,3,10,13,,,43,02,,,34*69
$BDRMC,072844.000,A,2307.1257,N,12016.4330,E,0.01,229.52,090813,,,A*79
$BDVTG,229.52,T,,M,0.01,N,0.02,K,A*21
```

GNSS(GPS+BDS) system:

```
$GNGGA,072624.000,2307.1259,N,12016.4329,E,1,13,0.87,16.1,M,17.8,M,,*43
$GPGSA,A,3,07,28,11,20,19,09,01,08,32,,,,,1.23,0.87,0.88*0B
$BDGSA,A,3,14,08,10,06,,,,,,,,,1.23,0.87,0.88*16
$GPGSV,3,1,12,28,55,336,44,42,54,137,42,01,50,027,42,20,49,126,46*7F
$GPGSV,3,2,12,08,46,236,46,09,40,238,46,32,35,084,44,11,31,041,45*7F
$GPGSV,3,3,12,07,29,199,45,19,08,073,38,193,,,,,04,,,38*4D
$BDGSV,2,1,05,08,53,008,43,06,47,168,39,10,34,225,34,14,28,068,44*6A
$BDGSV,2,2,05,05,18,258,*5E
$GNRMC,072624.000,A,2307.1259,N,12016.4329,E,0.01,102.03,090813,,,A*76
$GNVTG,102.03,T,,M,0.01,N,0.02,K,A*20
```

GGA—Fixed Data. Time, Position and fix related data includes GPS(GPGGA) or BDS(BDGGA) or GNSS(GNGGA)

Table-3 contains the values for the following example :

\$GPGGA,064951.000,2307.1256,N,12016.4438,E,1,8,0.95,39.9,M,17.8,M,,*65

\$BDGGA,072845.000,2307.1257,N,12016.4330,E,1,5,1.68,23.1,M,17.8,M,,*72

\$GNGGA,072624.000,2307.1259,N,12016.4329,E,1,13,0.87,16.1,M,17.8,M,,*43

Talker ID: GP(GPS) · BD(BDS) · GN(GNSS)

Table-3: GGA Data Format

Name	Example	Units	Description
Message ID	\$GPGGA		GGA protocol header
UTC Time	064951.000		hhmmss.sss
Latitude	2307.1256		ddmm.mmmm
N/S Indicator	N		N=north or S=south
Longitude	12016.4438		dddmm.mmmm
E/W Indicator	E		E=east or W=west
Position Fix Indicator	1		See Table-4
Satellites Used	8		Range 0 to 14
HDOP	0.95		Horizontal Dilution of Precision
MSL Altitude	39.9	meters	Antenna Altitude above/below mean-sea-level
Units	M	meters	Units of antenna altitude
Geoidal Separation	17.8	meters	
Units	M	meters	Units of geoids separation
Age of Diff. Corr.		second	Null fields when DGPS is not used
Checksum	*65		
<CR> <LF>			End of message termination

Table-4: Position Fix Indicator

Value	Description
0	Fix not available
1	GPS fix
2	Differential GPS fix

GSA—GNSS DOP and Active Satellites includes GPS(GPGSA) or BDS(BDGSA) or GNSS(GPGSA+BDGSA)

Table-5 contains the values for the following example :

\$GPGSA,A,3,07,28,11,20,19,09,01,08,32,,,,,1.24,0.87,0.88*0C

\$BDGSA,A,3,14,08,10,06,,,,,,,,,1.24,0.87,0.88*11

Talker ID: GP(GPS) · BD(BDS)

Table-5: GSA Data Format			
Name	Example	Units	Description
Message ID	\$GPGSA		GSA protocol header
Mode 1	A		See Table-6
Mode 2	3		See Table-7
Satellite Used ^(Note)	29		SV on Channel 1
Satellite Used	21		SV on Channel 2
....
Satellite Used			SV on Channel 12
PDOP	2.32		Position Dilution of Precision
HDOP	0.95		Horizontal Dilution of Precision
VDOP	2.11		Vertical Dilution of Precision
Checksum	*00		
<CR> <LF>			End of message termination

Note: GPS SV No. #1~#32
BDS SV No. #1~#15

Table-6: Mode 1	
Value	Description
M	Manual—forced to operate in 2D or 3D mode
A	2D Automatic—allowed to automatically switch 2D/3D

Table-7: Mode 2	
Value	Description
1	Fix not available
2	2D (< 4 SVs used)
3	3D (≥ 4 SVs used)

GSV— Satellites in View, includes GPS(GPGSV) or BDS(BDGSV) or GNSS(GPGSV+BDGSV)

Table-8 contains the values for the following example :

\$**G**P**G**SV,4,1,14,28,75,321,44,42,54,137,39,20,53,080,44,17,40,330,44*77

\$**G**P**G**SV,4,2,14,04,33,253,43,32,28,055,41,08,26,212,40,11,14,055,33*7F

\$**G**P**G**SV,4,3,14,10,12,198,,07,06,179,38,23,04,125,44,27,02,314,*7E

\$**G**P**G**SV,4,4,14,193,,42,01,,36*45

\$**B**D**G**SV,3,1,10,08,53,009,42,06,47,168,39,10,33,225,32,14,28,067,44*61

\$**B**D**G**SV,3,2,10,09,24,189,33,07,23,194,31,05,18,258,,03,,44*5F

\$**B**D**G**SV,3,3,10,13,,43,02,,34*69

Talker ID: GP(GPS) · BD(BDS)

Table-8: GPGSV Data Format			
Name	Example	Units	Description
Message ID	\$GPGSV		GSV protocol header
Number of Messages	4		Range 1 to 4 (Depending on the number of satellites tracked, multiple messages of GSV data may be required.)
Message Number1	1		Range 1 to 4
Satellites in View	14		
Satellite ID ^(Note)	28		Channel 1 (Range 1 to 32)
Elevation	75	degrees	Channel 1 (Maximum 90)
Azimuth	321	degrees	Channel 1 (True, Range 0 to 359)
SNR (C/No)	44	dBHz	Range 0 to 99, (null when not tracking)
....
Satellite ID	17		Channel 4 (Range 1 to 32)
Elevation	40	degrees	Channel 4 (Maximum 90)
Azimuth	330	degrees	Channel 4 (True, Range 0 to 359)
SNR (C/No)	44	dBHz	Range 0 to 99, (null when not tracking)
Checksum	*7D		
<CR> <LF>			End of message termination

Note: GPS ID No. #1~#32

BDS ID No. #1~#15

RMC—Recommended Minimum Navigation Information, includes GPS(GPRMC) or BDS(BDRMC) or GNSS(GNRMC)

Table-9 contains the values for the following example :

\$GPRMC,064951.000,A,2307.1256,N,12016.4438,E,0.03,165.48,260406,3.05,W,A*2C

\$BDRMC,072845.000,A,2307.1257,N,12016.4330,E,0.02,216.76,090813,,,A*71

\$GNRMC,072624.000,A,2307.1259,N,12016.4329,E,0.01,102.03,090813,,,A*76

Talker ID: GP(GPS) 、 BD(BDS) 、 GN(GNSS)

Table-9: RMC Data Format			
Name	Example	Units	Description
Message ID	\$GPRMC		RMC protocol header
UTC Time	064951.000		hhmmss.sss
Status	A		A=data valid or V=data not valid
Latitude	2307.1256		ddmm.mmmm
N/S Indicator	N		N=north or S=south
Longitude	12016.4438		dddmm.mmmm
E/W Indicator	E		E=east or W=west
Speed over Ground	0.03	knots	
Course over Ground	165.48	degrees	True
Date	260406		ddmmyy
Magnetic Variation	3.05, W	degrees	E=east or W=west (Need AscenKorea Customization Service)
Mode	A		A= Autonomous mode D= Differential mode E= Estimated mode
Checksum	*2C		
<CR> <LF>			End of message termination

VTG—Course and speed information relative to the ground, includes **GPS(GPVTG)** or **BDS(BDVTG)** or **GNSS(GNVTG)**

Table-10 contains the values for the following example:

\$**GP**VTG,165.48,T,,M,0.03,N,0.06,K,A*37

\$**BD**VTG,274.82,T,,M,0.01,N,0.02,K,A*24

\$**GN**VTG,81.97,T,,M,0.17,N,0.32,K,A*13

Talker ID: GP(GPS) · BD(BDS) · GN(GNSS)

Table-10: VTG Data Format			
Name	Example	Units	Description
Message ID	\$GPVTG		VTG protocol header
Course	165.48	degrees	Measured heading
Reference	T		True
Course		degrees	Measured heading
Reference	M		Magnetic (Need AscenKorea Customization Service)
Speed	0.03	knots	Measured horizontal speed
Units	N		Knots
Speed	0.06	km/hr	Measured horizontal speed
Units	K		Kilometers per hour
Mode	A		A= Autonomous mode D= Differential mode E= Estimated mode
Checksum	*06		
<CR> <LF>			End of message termination

3.2 MTK NMEA Command Protocols

Packet Type:

103 PMTK_CMD_COLD_START

Packet Meaning:

Cold Start : Don't use Time, Position, Almanacs and Ephemeris data at re-start.

Example:

\$PMTK103*30<CR><LF>

3.3 Firmware Customization Services

AscenKorea also offers flexible, value-adding GPS firmware customization services that maximizes the over system efficiencies and power consumptions. Latest functions like Binary Mode, 1-Sentence Output, Geo-fencing and Last Position Retention, please see our website at www.ascenkorea.com under Products / GPS Modules / Software Services for more details.

Note: Not all firmware customization services listed below are supported by module. Please contact AscenKorea Sales or Technical Support for more details.



Ascen GPS
GPS전문기업 (주)아센코리아

AscenKorea Firmware Customization Services



DATA LOGGER SOLUTION

turns GPS receiver into data logger with additional flash memory

10 Hz UPDATE

fast refresh rate for high speed applications

LAST POSITION RETENTION

outputs last known position coordinates after losing GPS satellite fix

ONE SENTENCE

decreases calculation load on processor by simplifying output NMEA sentences

AGPS

fast position fix with preloaded ephemeris

BINARY MODE

outputs position in binary format for increase efficiency

PERIODIC MODE

Saves battery by powering off unused components

DISTANCE CALCULATION

calculates line of sight distance between receiver and other points of interest

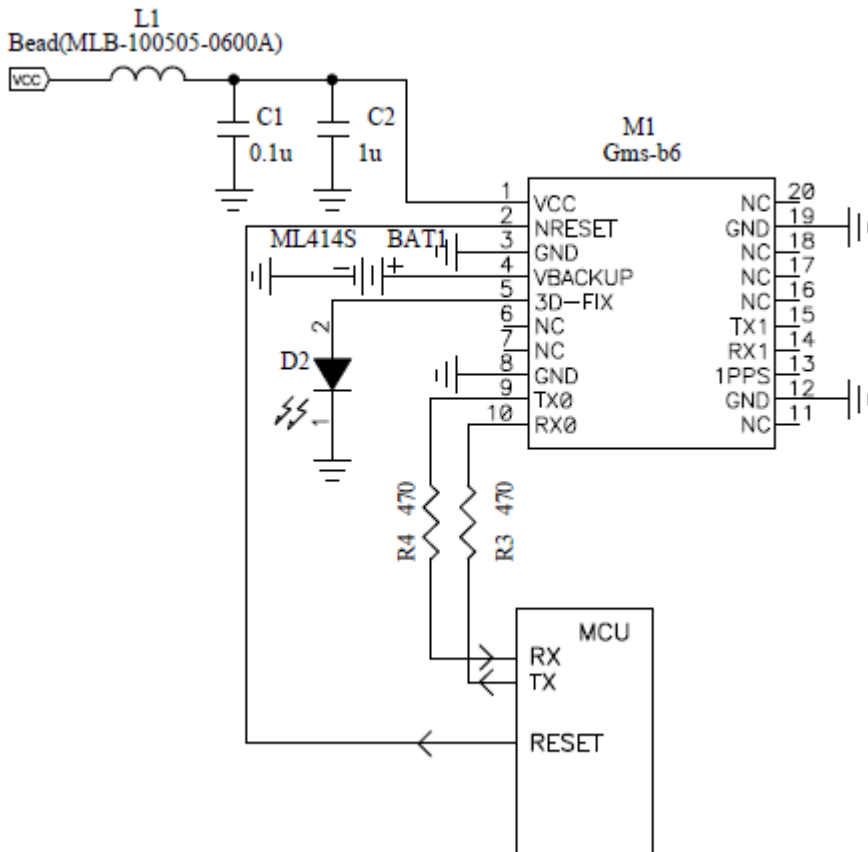
TIMING MODE

advanced 1 PPS control for synchronization equipments

4. Reference Design

This chapter introduces the reference schematic design for the best performance. Additional tips and cautions on design are well documented on Application Note, which is available upon request.

4.1 Reference Design Circuit





Note:

1. Ferrite bead L1 is added for power noise reduction. You can do change to be equal component for Impedance 600Ω at 100 MHz, IDC Max. 200mA.
2. C1 and C2 bypass capacitor should be put near the module.
3. Damping resistors R3 and R4 could be modified based on system application for EMI.
4. If you need more support and information on antenna implementation, please directly contact us at sales@ascen.co.kr for further services.

5. Packing and Handling

GPS modules, like any other SMD devices, are sensitive to moisture, electrostatic discharge, and temperature. By following the standards outlined in this document for AscenKorea GPS module storage and handling, it is possible to reduce the chances of them being damaged during production set-up. This document will go through the basics on how AscenKorea packages its modules to ensure they arrive at their destination without any damages and deterioration to performance quality, as well as some cautionary notes before going through the surface mount process.

 **Please read the sections II to V carefully to avoid damages permanent damages due to moisture intake**

 **GPS receiver modules contain highly sensitive electronic circuits and are electronic sensitive devices and improper handling without ESD protections may lead to permanent damages to the modules. Please read section VI for more details.**

5.1 Moisture Sensitivity

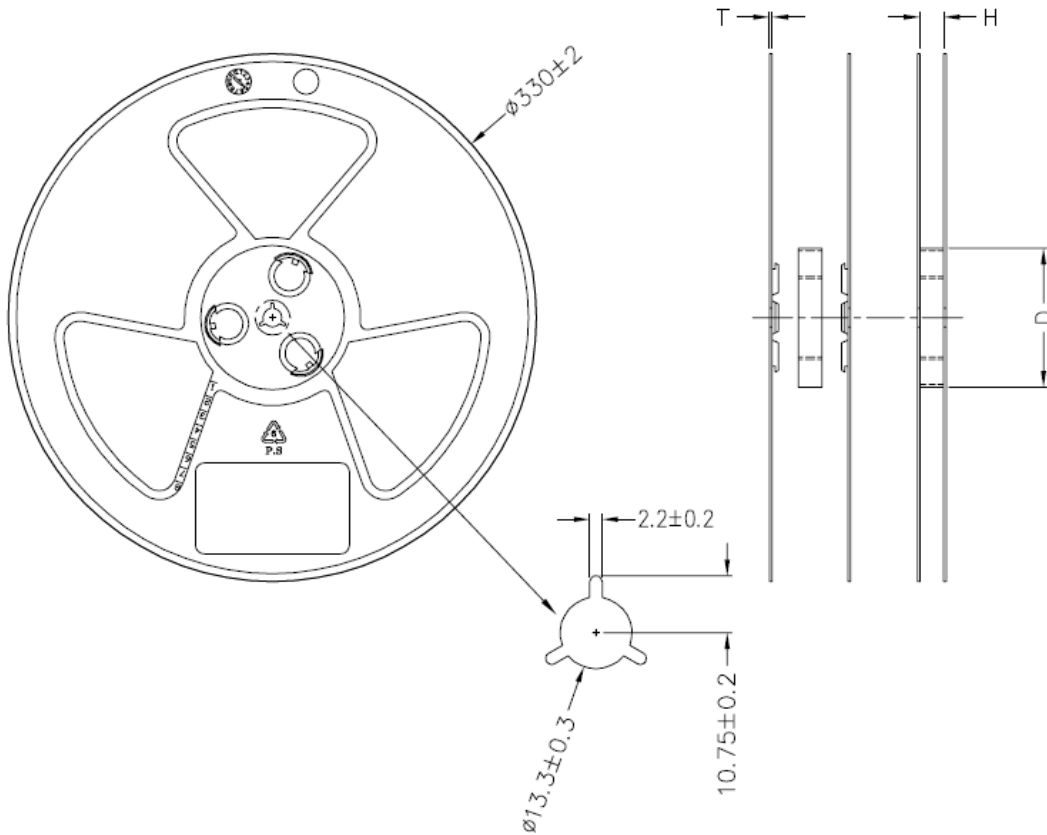
AscenKorea GPS modules are moisture sensitive, and must be pre-baked before going through the solder reflow process. It is important to know that:

AscenKorea GPS modules must complete solder reflow process in 72 hours after pre-baking.

This maximum time is otherwise known as “Floor Life”

If the waiting time has exceeded 72 hours, it is possible for the module to suffer damages during the solder reflow process such as cracks and delamination of the SMD pads due to excess moisture pressure.

5.2 Tape Reel Packing Information
250pcs/Reel

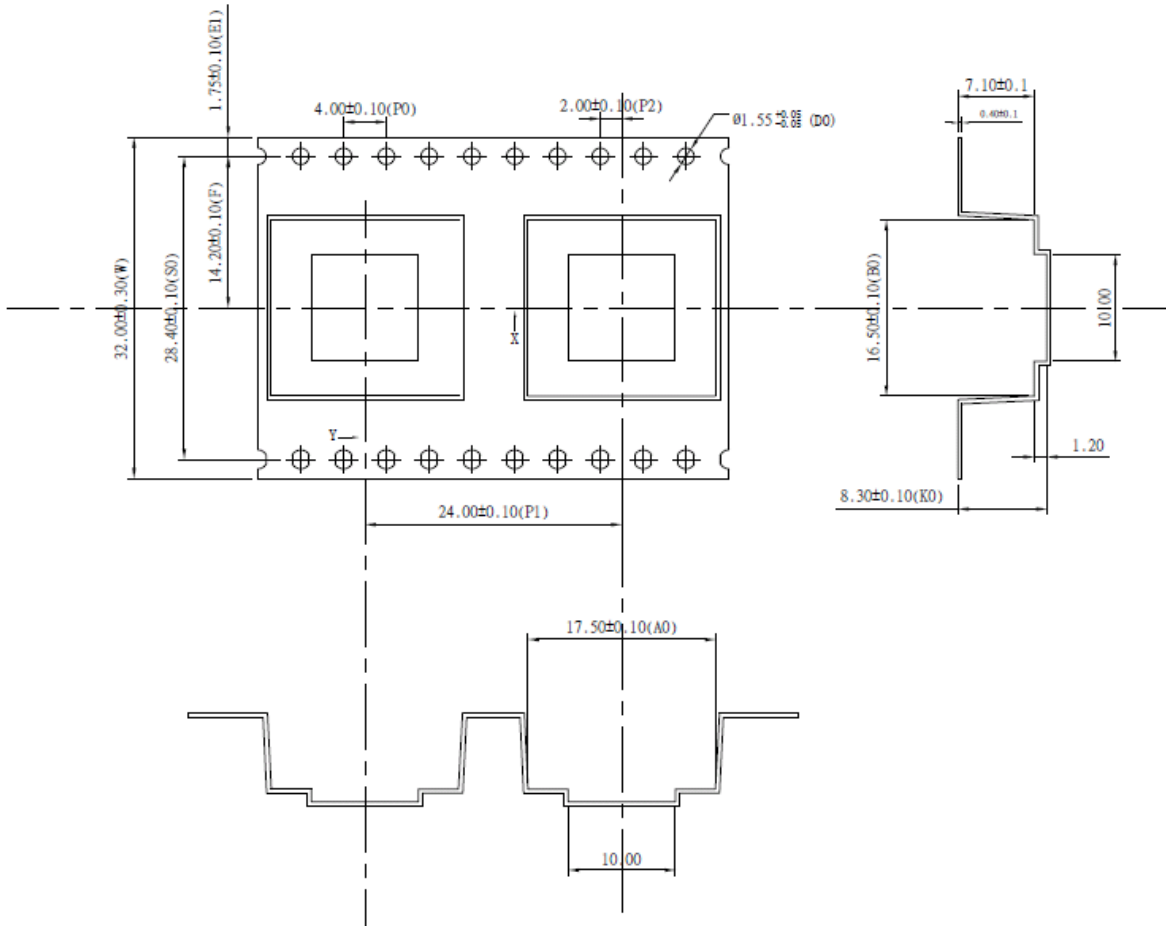


Spec: H: 32.5 ± 1.5 , T: 2.2 ± 0.2 , D: 99 ± 1.5

Note: 13" Reel, Material : P.S

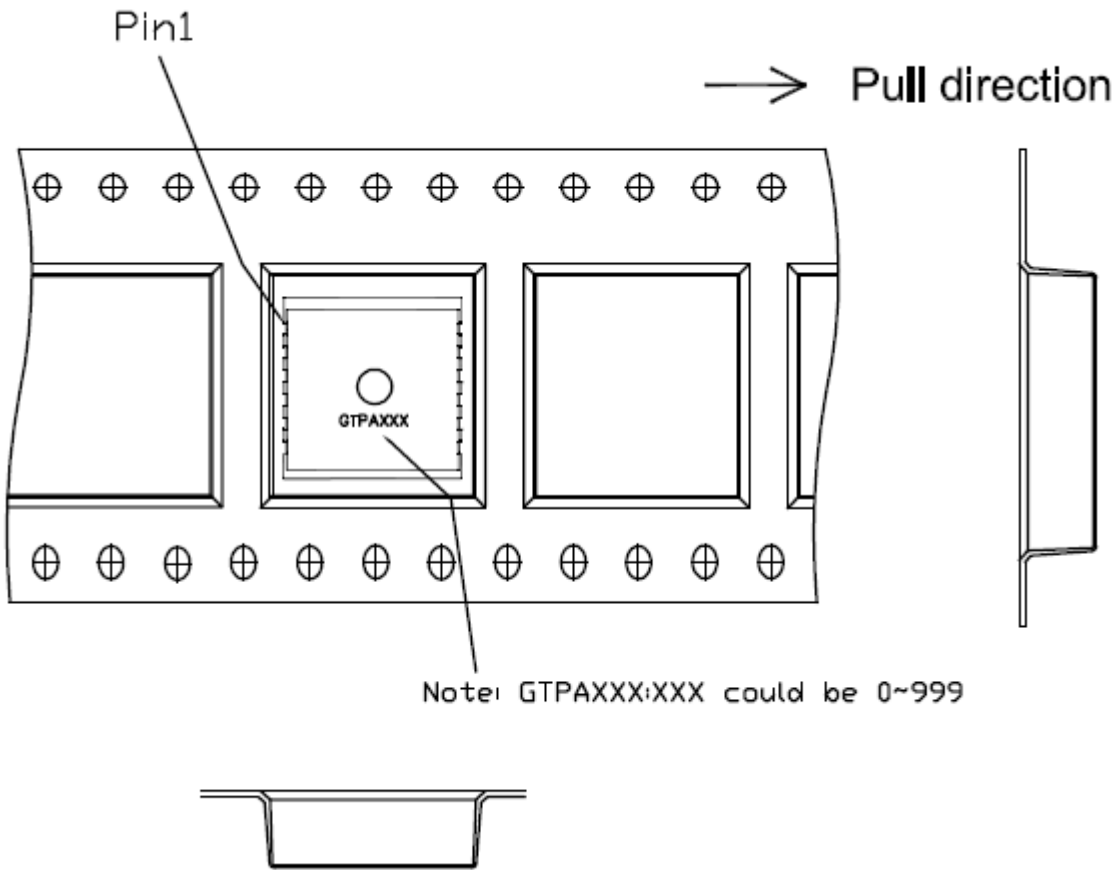
Unit: (mm)

Figure 1: Reel Dimension



A0	17.5 ± 0.10
B0	16.5 ± 0.10
K0	8.3 ± 0.10

Figure 2: Tape Dimension



Roll up direction:

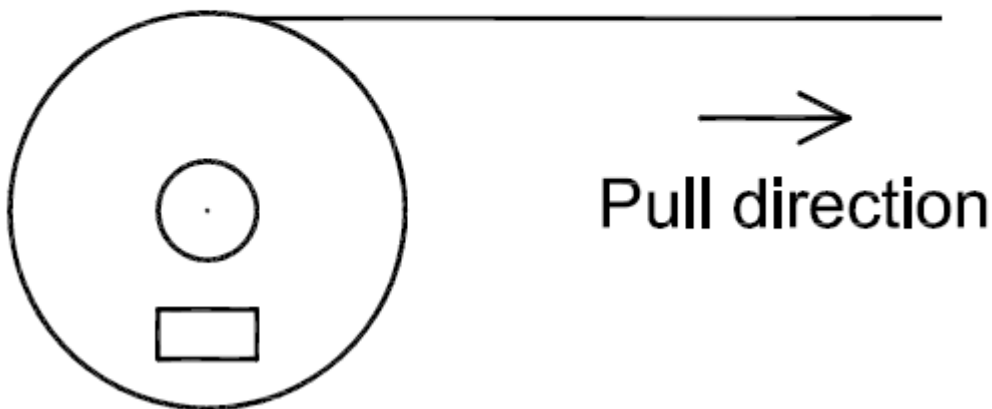
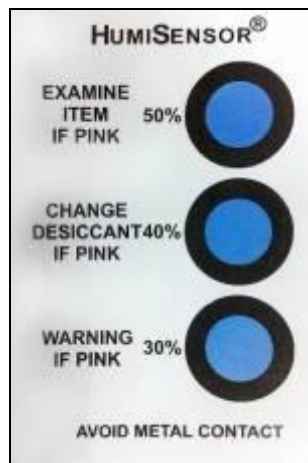



Figure 3: Tape Orientation

The moisture color coded card provides an insight to the relative humidity percentage (RH). When the GPS modules are taken out, it should be around or lower than 30% RH level.

Outside each electrostatic bag is a caution label for moisture sensitive device.






Caution
Moisture-Sensitive

Caution

This bag contains
**MOISTURE-SENSITIVE &
ELECTROSTATIC SENSITIVE DEVICES**



1. Calculated shelf life in package bag: **6 months** at < 30 °C and < 60% relative humidity (RH)
 - a. Temperature and Humidity must be controlled in SMT production line and storage area. Temperature of **23 ° C, 60% +/-5% RH** humidity is highly recommended. (please refer to IPQC for more information)
2. **Devices require bake before mounting and subjected to reflow solder**
3. After baking, devices that will be subjected to reflow solder or other high temperature process must be **mounted within 72 hours of factory conditions ≤ 30°C/60% RH**
4. Peak package body temperature: **250 +0 /-5 °C**
 - a. The reflow temperature and its profile data must be measured before the SMT process and match the levels and guidelines set by IPQC.
 - b. When performing solder paste printing please check if the amount of solder paste is in excess or insufficient, as both conditions may lead to defects such as electrical shortage, empty solder and etc.
 - c. The usage of solder paste should follow "first in first out" principle. Opened solder paste needs to be monitored and recorded in a timely fashion (Please refer to IPQC for more info).


Bag Seal Date: (1.1.2010)

Figure 4: Example of moisture color coded card and caution label

5.3 Storage and Floor Life Guideline

Since AscenKorea modules must undergo solder-reflow process in 72 hours after it has gone through pre-baking procedure, therefore if it is not used by then, it is recommended to store the GPS modules in dry places such as dry cabinet.

The approximate shelf life for AscenKorea GPS modules packages is 6 months from the bag seal date, when store in a non-condensing storage environment (<30°C/60% RH)

 **It is important to note that it is a required process for AscenKorea GPS modules to undergo pre-baking procedures, regardless of the storage condition.**


5.4 Drying


Because the vapor pressures of moisture inside the GPS modules increase greatly when it is exposed to high temperature of solder reflow, in order to prevent internal delaminating, cracking of the devices, or the “popcorn” phenomenon, it is a **necessary requirement** for AscenKorea GPS module to undergo pre-baking procedure before any high temperature or solder reflow process.

The recommendation baking time for AscenKorea GPS module is as follows:

✓ **60°C for 8 to 12 hours**

Once baked, the module’s floor life will be “reset”, and has additional 72 hours in normal factory condition to undergo solder reflow process.

 **Please limit the number of times the GPS modules undergoes baking processes as repeated baking process has an effect of reducing the wetting effectiveness of the SMD pad contacts. This applies to all SMT devices.**

 **Oxidation Risk: Baking SMD packages may cause oxidation and/or intermetallic growth of the terminations, which if excessive can result in solderability problems during board assembly. The temperature and time for baking SMD packages are therefore limited by solderability considerations. The cumulative bake time at a temperature greater than 90°C and up to 125°C shall not exceed 96 hours. Bake temperatures higher than 125°C are now allowed.**

5.5 ESD Handling



Please carefully follow the following precautions to prevent severe damage to GPS modules.

AscenKorea GPS modules are sensitive to electrostatic discharges, and thus are Electrostatic Sensitive Devices (ESD). Careful handling of the GPS modules and in particular to its patch antenna (if included) and RF_IN pin, must follow the standard ESD safety practices:

- ✓ Unless there is a galvanic coupling between the local GND and the PCB GND, then the first point of contact when handling the PCB shall always be between the local GND and PCB GND.
- ✓ Before working with RF_IN pin, please make sure the GND is connected
- ✓ When working with RF_IN pin, do not contact any charges capacitors or materials that can easily develop or store charges such as patch antenna, coax cable, soldering iron.
- ✓ Please do not touch the mounted patch antenna to prevent electrostatic discharge from the RF input
- ✓ When soldering RF_IN pin, please make sure to use an ESD safe soldering iron (tip).

6. Reflow Soldering Temperature Profile

The following reflow temperature profile was evaluated by AscenKorea and has been proven to be reliable qualitatively. Please contact us beforehand if you plan to solder this component using a deviated temperature profile as it may cause significant damage to our module and your device.

All the information in this sheet can only be used only for Pb-free manufacturing process.

6.1 SMT Reflow Soldering Temperature Profile (Reference Only)

Average ramp-up rate (25 ~ 150°C): 3°C/sec. max.

Average ramp-up rate (270°C to peak): 3°C/sec. max.

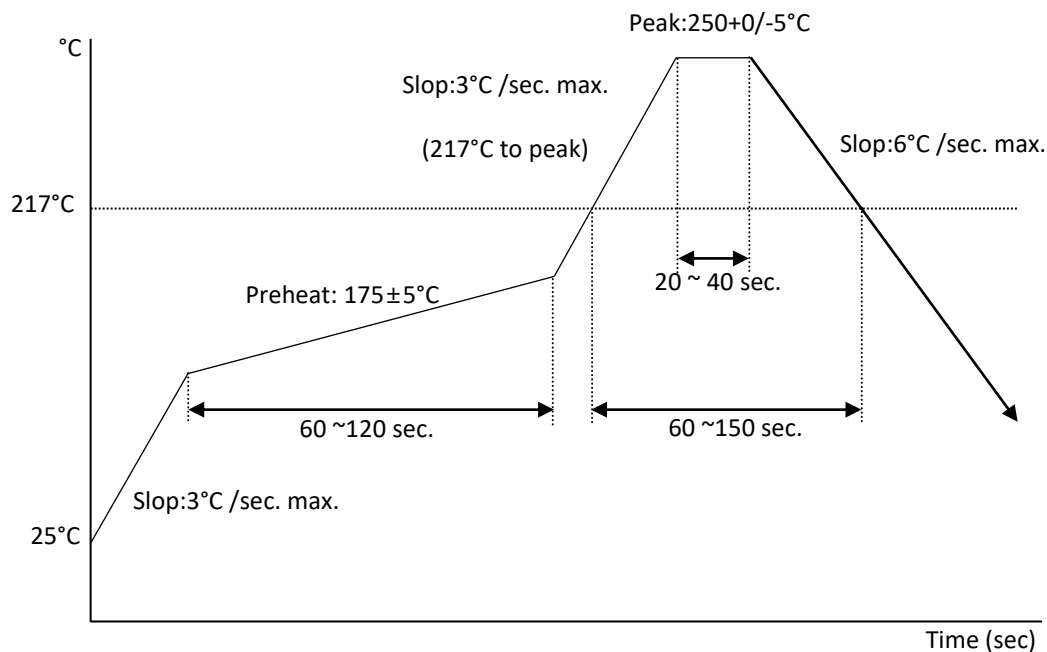
Preheat: 175 ± 25°C, 60 ~ 120 seconds

Temperature maintained above 217°C: 60~150 seconds

Peak temperature: 250 +0/-5°C, 20~40 seconds

Ramp-down rate: 6°C/sec. max.

Time 25°C to peak temperature: 8 minutes max.



	Details	Suggestions	Notes
1	Before proceeding with the reflow-soldering process, the GPS module must be pre-baked.	Pre-bake Time: 6 Hours @ 60°±5°C or 4 Hours @ 70°±5°C	The maximum tolerated temperature for the tray is 100°C. After the pre-baking process, please make sure the temperature is sufficiently cooled down to 35°C or below in order to prevent any tray deformation.
2	Because PCBA (along with the patch antenna) is highly endothermic during the reflow-soldering process, extra care must be paid to the GPS module's solder joint to see if there are any signs of cold weld(ing) or false welding.	The parameters of the reflow temperature must be set accordingly to module's reflow-soldering temperature profile.	Double check to see if the surrounding components around the GPS module are displaying symptoms of cold weld(ing) or false welding.
3	Special attentions are needed for PCBA board during reflow-soldering to see if there are any symptoms of bending or deformation to the PCBA board, possibility due to the weight of the module. If so, this will cause concerns at the latter half of the production process.	A loading carrier fixture must be used with PCBA if the reflow soldering process is using rail conveyors for the production.	If there is any bending or deformation to the PCBA board, this might causes the PCBA to collide into one another during the unloading process.
4	Before the PCBA is going through the reflow-soldering process, the production operators must check by eyesight to see if there are positional offset to the module, because it will be difficult to readjust after the module has gone through reflow-soldering process.	The operators must check by eyesight and readjust the position before reflow-soldering process.	If the operator is planning to readjust the module position, please do not touch the patch antenna while the module is hot in order to prevent rotational offset between the patch antenna and module

Note: References to patch antenna is referred to GPS modules with integrated Patch-on-top antennas (PA/Gms Module Series), and may not be applicable to all GPS modules.

	Details	Suggestions	Notes
5	Before handling the PCBA, they must be cooled to 35°C or below after they have gone through the reflow-soldering process, in order to prevent positional shift that might occur when the module is still hot.	<ol style="list-style-type: none"> 1. Can use electric fans behind the Reflow machine to cool them down. 2. Cooling the PCBA can prevent the module from shifting due to fluid effect. 	It is very easy to cause positional offset to the module and its patch antenna when handling the PCBA under high temperature.
6	<ol style="list-style-type: none"> 1. When separating the PCBA panel into individual pieces using the V-Cut process, special attentions are needed to ensure there are sufficient gap between patch antennas so the patch antennas are not in contact with one another. 2. If V-Cut process is not available and the pieces must be separated manually, please make sure the operators are not using excess force which may cause rotational offset to the patch antennas. 	<ol style="list-style-type: none"> 1. The blade and the patch antenna must have a distance gap greater than 0.6mm. 2. Do not use patch antenna as the leverage point when separating the panels by hand. 	<ol style="list-style-type: none"> 1. Test must be performed first to determine if V-Cut process is going to be used. There must be enough space to ensure the blade and patch antenna do not touch one another. 2. An uneven amount of manual force applied to the separation will likely to cause positional shift in patch antenna and module.
7	When separating panel into individual pieces during latter half of the production process, special attentions are needed to ensure the patch antennas do not come in contact with one another in order to prevent chipped corners or positional shifts.	Use tray to separate individual pieces.	It is possible to chip corner and/or cause a shift in position if patch antennas come in contact with each other.

Note: References to patch antenna is referred to GPS modules with integrated Patch-on-top antennas (PA/Gms Module Series), and may not be applicable to all GPS modules.

Other Cautionary Notes on Reflow-Soldering Process:

1. Module must be pre-baked **before** going through SMT solder reflow process.
2. The usage of solder paste should follow “first in first out” principle. Opened solder paste needs to be monitored and recorded in a timely fashion (can refer to IPQC for related documentation and examples).
3. Temperature and humidity must be controlled in SMT production line and storage area. Temperature of 23°C, 60±5% RH humidity is recommended. (please refer to IPQC for related documentation and examples)
4. When performing solder paste printing, please notice if the amount of solder paste is in excess or insufficient, as both conditions may lead to defects such as electrical shortage, empty solder and etc.
5. Make sure the vacuum mouthpiece is able to bear the weight of the GPS module to prevent positional shift during the loading process.
6. Before the PCBA is going through the reflow-soldering process, the operators should check by eyesight to see if there are positional offset to the module.
7. The reflow temperature and its profile data must be measured before the SMT process and match the levels and guidelines set by IPQC.
8. If SMT protection line is running a double-sided process for PCBA, please process GPS module during the second pass only to avoid repeated reflow exposures of the GPS module. Please contact AscenKorea beforehand if you must process GPS module during the 1st pass of double-side process.

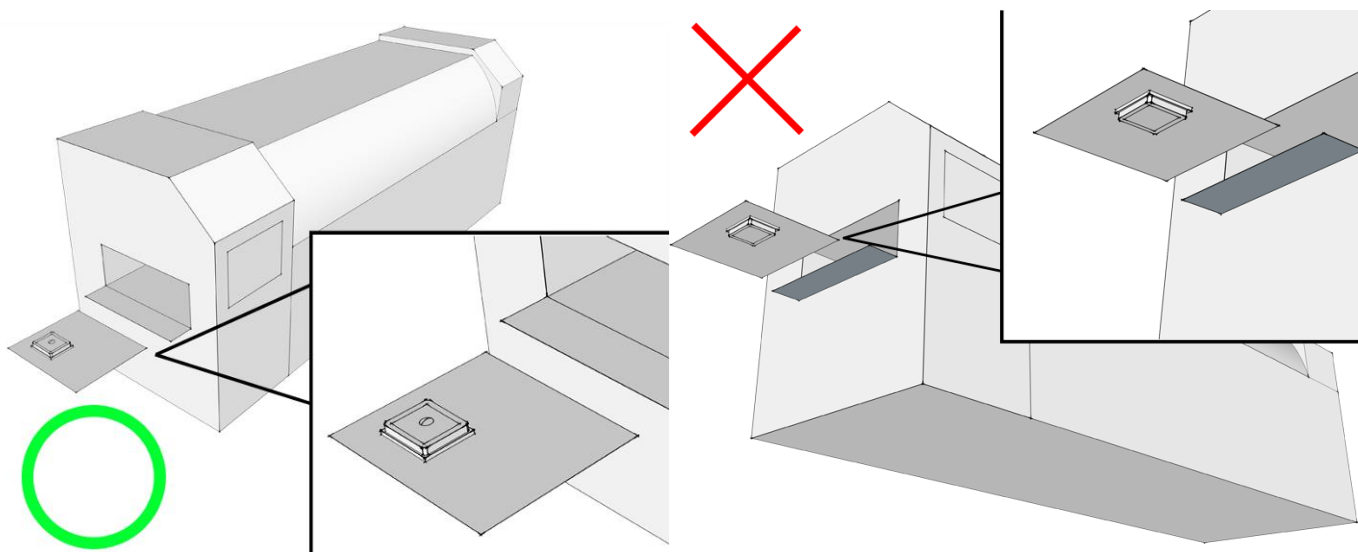


Figure 6.2: Place GPS module right-side up when running reflow-solder process, do not invert.

9. Module must be pre-baked **before** going through SMT solder reflow process.
10. The usage of solder paste should follow “first in first out” principle. Opened solder paste needs to be monitored and recorded in a timely fashion (can refer to IPQC for related documentation and examples).
11. Temperature and humidity must be controlled in SMT production line and storage area. Temperature of 23°C, 60±5% RH humidity is recommended. (please refer to IPQC for related documentation and examples)

12. When performing solder paste printing, please notice if the amount of solder paste is in excess or insufficient, as both conditions may lead to defects such as electrical shortage, empty solder and etc.
13. The reflow temperature and its profile data must be measured before the SMT process and match the levels and guidelines set by IPQC.

6.2 Manual Soldering

Soldering iron:

Bit Temperature: Under 380°C Time: Under 3 sec.

Notes:

1. Please do not directly touch the soldering pads on the surface of the PCB board, in order to prevent further oxidation
2. The solder paste must be defrosted to room temperature before use so it can return to its optimal working temperature. The time required for this procedure is unique and dependent on the properties of the solder paste used.
3. The steel plate must be properly assessed before and after use, so its measurement stays strictly within the specification set by SOP.
4. Please watch out for the spacing between soldering joint, as excess solder may cause electrical shortage
5. Please exercise with caution and do not use extensive amount of flux due to possible siphon effects on neighboring components, which may lead to electrical shortage.
6. Please do not use the heat gun for long periods of time when removing the shielding or inner components of the GPS module, as it is very likely to cause a shift to the inner components and will leads to electrical shortage.