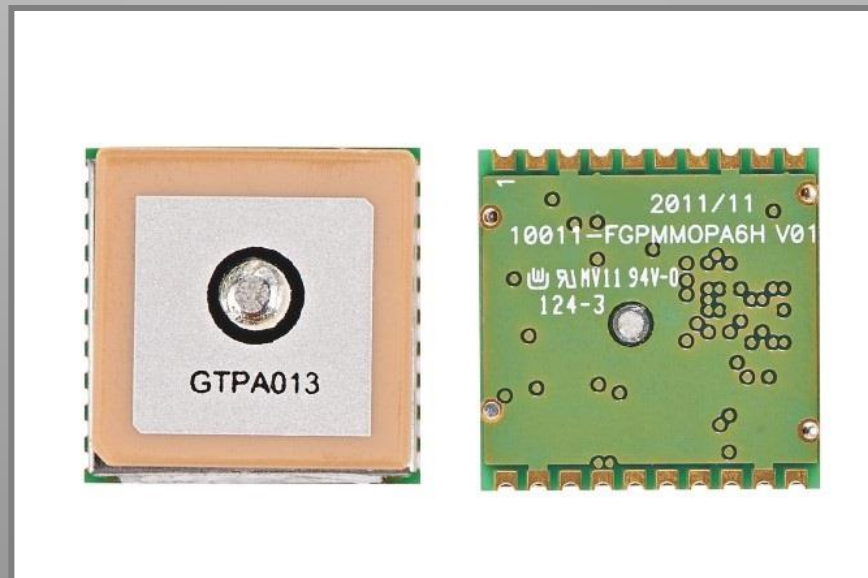


AscenKorea Inc.

FGPMMOPA6H GPS Antenna Module Data Sheet (Tap Reel)

Revision : VOC



The FGPMMOPA6H is a 4th generation GPS antenna module with lightning fast TTFF, ultra high sensitivity (-165dBm), and low power consumption in a small form factor (16*16*4.7mm)

This document is the exclusive property of AscenKorea Inc. and should not be distributed, reproduced, into any other format without prior permission of AscenKorea Tech Inc. Specifications subject to change without prior notice.

AscenKorea Inc.

Rm. 710, 7F, Halla Sigma Valley B/D, Gasandigital 2Ro 53, Geumcheon-gu, Seoul, Korea
Tel: +82 02 1544 3818 Fax: +82 02 6499 2940 / www.AscenKorea.com /sales@ascen.co.kr

copyright © AscenKorea Inc. All right reserved



Version History

Title:	AscenKorea FGPMMOPA6H Datasheet (Tape Reel)		
Subtitle:	GPS Module		
Doc Type:	Datasheet		
Revision	Date	Author	Description
V0A	2013-03-08	Dennis Choi	First Release
V0B	2013-09-24	Dennis Choi	Modify 5.2 Tape Reel Packing
V0C	2013-12-20	Dennis Choi	Revise ± 10 ns jitter to ± 10 ns RMS jitter Add Power Saving Current Update GSV-GNSS Satellites in View Add GAGAN function

This document is the exclusive property of AscenKorea Inc. and should not be distributed, reproduced, into any other format without prior permission of AscenKorea Inc. Specifications subject to change without prior notice.

AscenKorea Inc.

Rm. 710, 7F, Halla Sigma Velly B/D, Gasandigital 2Ro 53, Geumcheon-gu, Seoul, Korea
Tel: +82 02 1544 3818 Fax: +82 02 6499 2940 / www.AscenKorea.com /sales@ascen.co.kr

copyright © AscenKorea Inc. All right reserved



Table of Contents

1.FunctionalDescription	4
1.1Overview	4
1.2HighlightsandFeatures	5
1.3SystemBlockDiagram	6
1.4Multi-toneactiveinterferencecanceller	7
1.51PPS	7
1.6AGPSSupportforFastTTFF(EPO in flash™)	7
1.7EASY™	7
1.8AlwaysLocate™(Advance Power Periodic Mode)	9
1.9LOCUS (Embedded Logger function)	9
2.0AntennaAdvisor	9
2.Specifications	10
2.1MechanicalDimension	10
2.2RecommendedPCBpadLayout	11
2.3PinConfiguration	12
2.4PinAssignment	13
2.5DescriptionofI/OPin	14
2.6Specification	16
2.7AbsoluteMaximumRatings	17
2.8OperatingConditions	17
2.9GPSExternalAntennaSpecification(Recommended)	17
3.Protocols	18
3.1NMEAOutputSentences	18
3.2AntennaStatusProtocol(AntennaAdvisor)	24
3.3MTKNMEACommandProtocols	24
3.4FirmwareCustomizationServices	25
4.ReferenceDesign	26
4.1ReferenceDesignCircuit	26
5.PackingandHandling	27
5.1MoistureSensitivity	27
5.2TapeReelPackingInformation	28
250pcs/Reel	28
5.3StorageandFloorLifeGuideline	32
5.4Drying	32
5.5ESDHandling	33
6.ReflowSolderingTemperatureProfile	34
6.1SMTReflowSolderingTemperatureProfile	34
6.2ManualSoldering	38
7.ContactInformation	38

This document is the exclusive property of AscenKorea Inc. and should not be distributed, reproduced, into any other format without prior permission of AscenKorea Inc. Specifications subject to change without prior notice.

AscenKorea Inc.

Rm. 710, 7F, Halla Sigma Velley B/D, Gasandigital 2Ro 53, Geumcheon-gu, Seoul, Korea
Tel: +82 02 1544 3818 Fax: +82 02 6499 2940 / www.AscenKorea.com / sales@ascen.co.kr

copyright © AscenKorea Inc. All right reserved



1. Functional Description

1.1 Overview

FGPMMOPA6H is built based on the MediaTek new generation GPS Chipset MT3339 capable of achieving the industry's highest level of sensitivity (-165dBm) and instant Time-to-First Fix (TTFF). It is designed for lowest power consumption for precise GPS signal processing while giving the ultra-precise positioning under low receptive, high velocity conditions.

FGPMMOPA6H is a revision of POT (Patch On Top) GPS Module with an extra embedded function for external antenna I/O and comes with **automatic antenna switching function** and short circuit protection, also features a antenna system called "Antenna Advisor" that helps with the detections and notifications of different antenna statuses, including active antenna connection, antenna open circuit and antenna shortage.

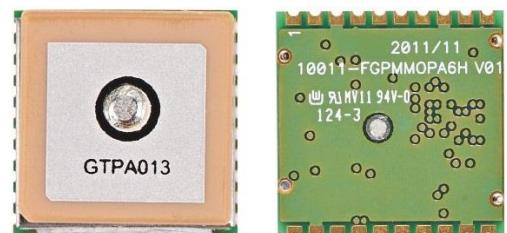
FGPMMOPA6H supports up to 210 PRN channels with 66 search channels and 22 simultaneous tracking channels. With SBAS ranging (WAAS, EGNOS, GAGAN*, and MSAS), QZSS and AGPS, FGPMMOPA6H can provide even more accurate positioning. The ISSCC2011 awarded **12-Multi-Tone Active Interference Canceller** is capable of removing 12 active noise sources enables customer to have more flexibility in system design.

FGPMMOPA6H is excellent low power consumption characteristic (acquisition 82mW, tracking 66mW), power sensitive devices, especially portable applications.

*GAGAN will later be supported.

Application:

- ✓ Handheld Device
- ✓ Tablet PC/PLB/MID
- ✓ M2M application
- ✓ Asset management
- ✓ Surveillance



This document is the exclusive property of AscenKorea Inc. and should not be distributed, reproduced, into any other format without prior permission of AscenKorea Inc. Specifications subject to change without prior notice.

AscenKorea Inc.

Rm. 710, 7F, Halla Sigma Valley B/D, Gasandigital 2Ro 53, Geumcheon-gu, Seoul, Korea
Tel: +82 02 1544 3818 Fax: +82 02 6499 2940 / www.AscenKorea.com / sales@ascen.co.kr

copyright © AscenKorea Inc. All right reserved



1.2 Highlights and Features

- ◆ Built-in 15X15X2.5mm ceramic patch antenna on the top of module
- ◆ Ultra-High Sensitivity: -165dBm (w/o patch antenna), up to 45dB C/N of SVs in open sky reception.
- ◆ High Update Rate: up to 10Hz^(Note1)
- ◆ 12 multi-tone active interference canceller^(Note2) [ISSCC 2011 Award -Section 26.5] (http://isscc.org/doc/2011/isscc2011.advanceprogrambooklet_abstracts.pdf)
- ◆ High 1-PPS timing accuracy for Timing Applications (± 10 ns RMS jitter)
- ◆ AGPS Support for Fast TTFF (EPO in flashTM Enable 7 days/14 days)
- ◆ EASYTM^(Note2): Self-Generated Orbit Prediction for instant positioning fix
- ◆ AlwaysLocateTM^(Note2) Intelligent Algorithm (Advance Power Periodic Mode) for power saving
- ◆ LOCUS (Embedded Logger Function)^(Note3)
- ◆ Automatic antenna switching function
- ◆ Antenna Advisor function
- ◆ Ascen Firmware Customization Services
- ◆ Consumption current(@3.3V):
 - Acquisition: 25mA Typical
 - Tracking: 20mA Typical
- ◆ E911, RoHS, REACH compliant

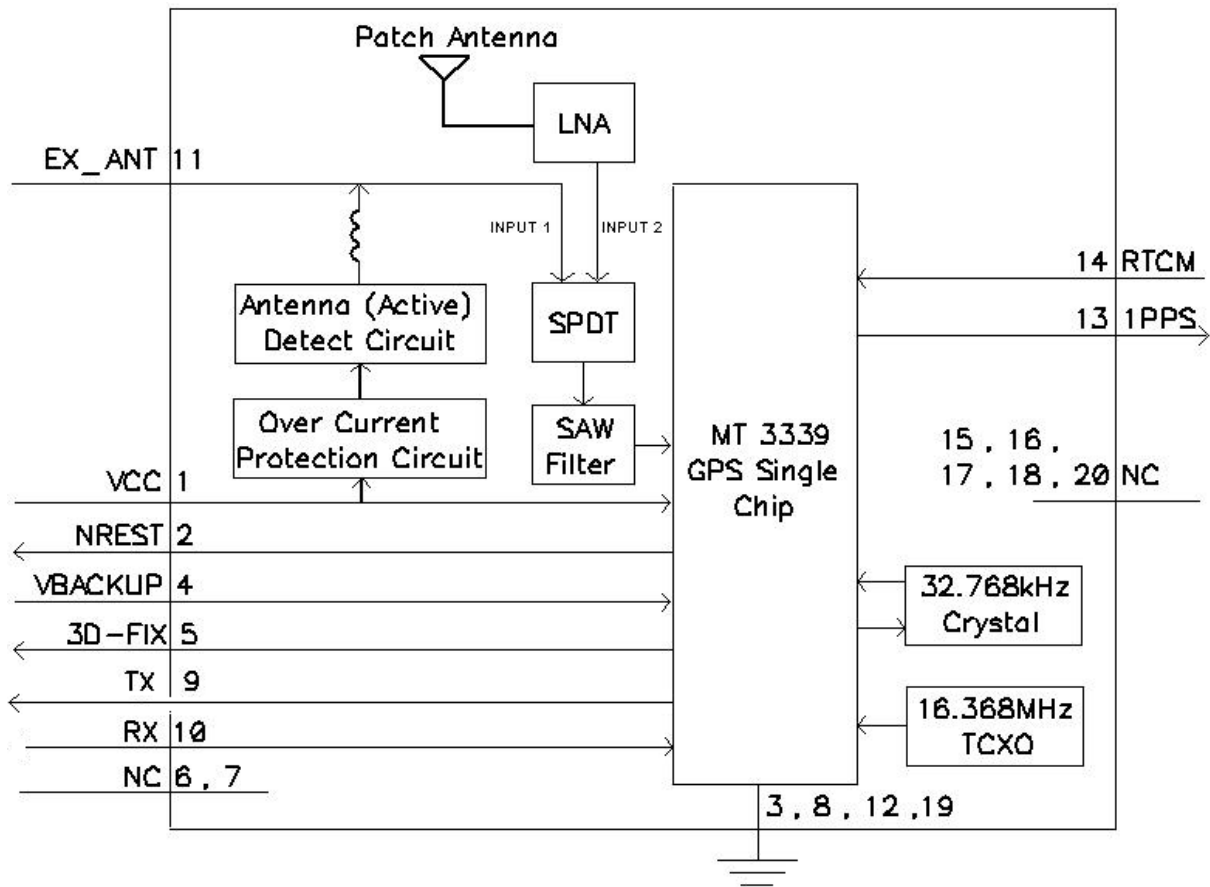
(Note1): SBAS can only be enabled when update rate is equal or less than to 5Hz.

(Note2): Some features need special firmware or command programmed by customer, please refer to "PMTK Command List"

(Note3): Please refer to "AscenKorea LOCUS Library User Manual"



1.3 System Block Diagram



This document is the exclusive property of AscenKorea Inc. and should not be distributed, reproduced, into any other format without prior permission of AscenKorea Inc. Specifications subject to change without prior notice.

AscenKorea Inc.

Rm. 710, 7F, Halla Sigma Valley B/D, Gasandigital 2Ro 53, Geumcheon-gu, Seoul, Korea
Tel: +82 02 1544 3818 Fax: +82 02 6499 2940 / www.AscenKorea.com / sales@ascen.co.kr

copyright © AscenKorea Inc. All right reserved



1.4 Multi-tone active interference canceller

Navigation system often integrated with variant applications that are not limited to Wi-Fi, GSM/GPRS, 3G/4G, Bluetooth. Such system, as often seen, generates RF harmonics which would influence the GPS reception and performance. The embedded multi-tone active interference canceller (MTAIC) is capable of rejecting unwanted RF harmonics of the nearby on-board active components. MTAIC improves the capacity of GPS reception leaving hardware integration engineering without the need of hardware changes. FGPMMOPA6H cancels up to 12 independent channels continuous interference wave.

1.5 1PPS

FGPMMOPA6H generates a `_pulse_per_second` signal (1 PPS). It is an electrical signal which precisely indicates the start of a second with the accuracy of $\pm 10\text{ns}$ RMS.

In general, 1 PPS signals are used to provide precise timekeeping and time measurement to the system. It is commonly used for timekeeping in computers which may involve with the NTP protocol.

FGPMMOPA6H generates highly accurate 1PPS based timing method to synchronize GPS positioning time after obtained 3D-Fix. 1PPS output at power on is available through firmware customization service.

1.6 AGPS Support for Fast TTFF (EPO in flash™)

The AGPS (EPO in flash™) supply the predicated Extended Prediction Orbit data to speed TTFF. Users can download the EPO data to GPS engine from the FTP server via internet or wireless network. The GPS engine of the module will use the EPO data to assist position calculation when the navigation information from satellites is not enough as is the case of weak signal. For more details on EPO, visit our website.

1.7 EASY™

Embedded Assist System (EASY™) is embedded within the receiver module to assist for quick positioning when not enough information is received from the satellites. With EASY™ technology, the GPS engine is able to calculate and predict up to 3 days single ephemeris automatically when power on. It then saves the predicted information onto the memory. So the GPS engine can use this information for positioning later if no enough information received from the satellites. This function

This document is the exclusive property of AscenKorea Inc. and should not be distributed, reproduced, into any other format without prior permission of AscenKorea Inc. Specifications subject to change without prior notice.



will be helpful for TTFF improvement to allow positioning even under weak signal condition such dense urban. Backup power (VBACKUP) is required for this feature.

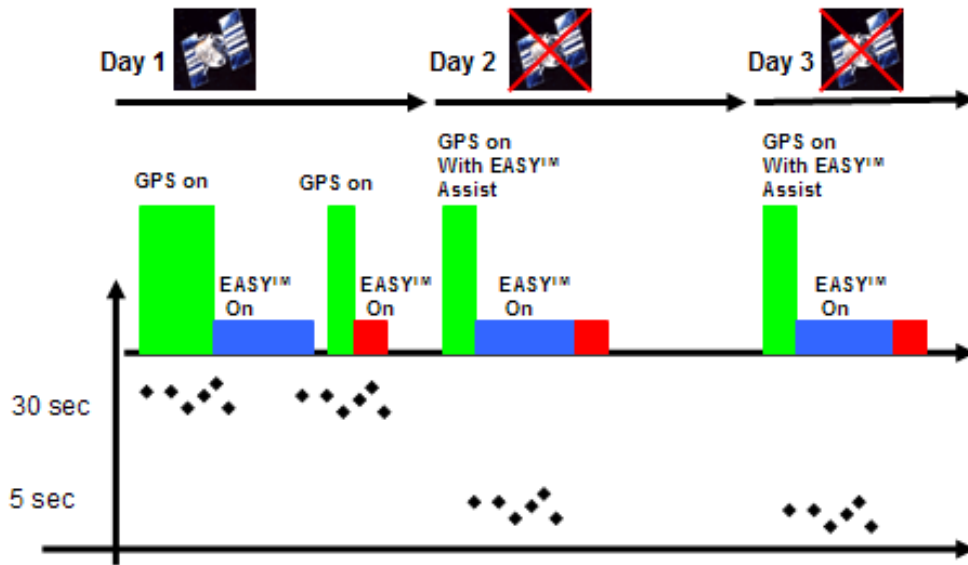


Figure 1.12-1 EASY System operation

Figure 1.12-1 show that when GPS device obtained the satellite information from GPS satellites, the GPS engine automatically pre-calculates to predict orbits for 3 extended days.

This document is the exclusive property of AscenKorea Inc. and should not be distributed, reproduced, into any other format without prior permission of AscenKorea Inc. Specifications subject to change without prior notice.

AscenKorea Inc.

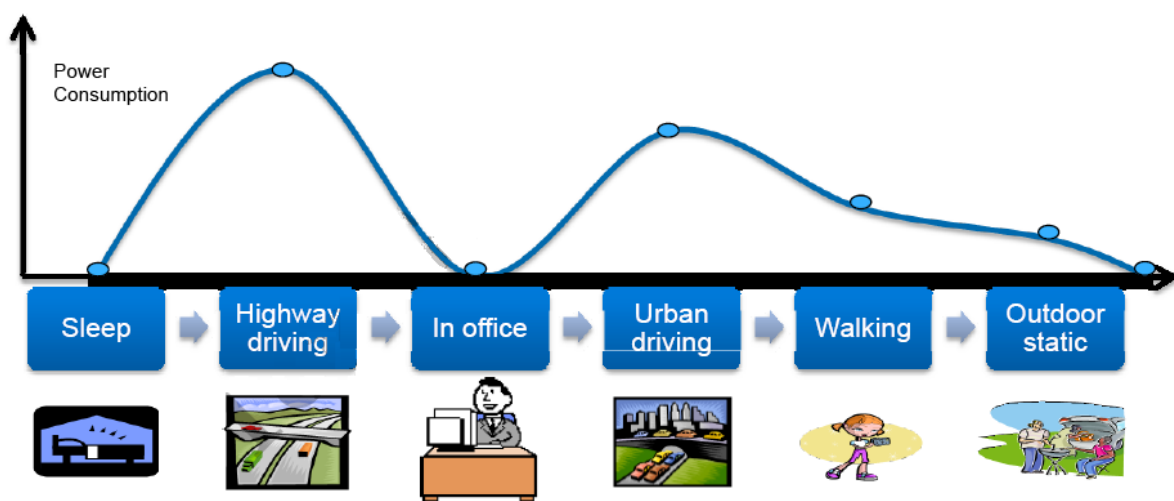
Rm. 710, 7F, Halla Sigma Valley B/D, Gasandigital 2Ro 53, Geumcheon-gu, Seoul, Korea
Tel: +82 02 1544 3818 Fax: +82 02 6499 2940 / www.AscenKorea.com / sales@ascen.co.kr

copyright © AscenKorea Inc. All right reserved

1.8 AlwaysLocate™

FGPMMOPA6H uses AlwaysLocate™(Advance Power Periodic Mode) modes to achieve power saving by adaptively adjust the on/off time to achieve balance between positioning accuracy and power consumption according to the environmental and motion conditions to achieve best power conservation.

The following figure gives some insight on power saving under different use cases when AlwaysLocate™ mode is enabled. For command detail, please contact our sales staff at sales@ascen.co.kr



1.9 LOCUS

When LOCUS (Embedded Logger Function) feature is enabled, the receiver module becomes a logger capable device. It does not need a host or external flash to log GPS data, such as data format: UTC, latitude, longitude, valid, checksum. The maximum constant log duration can be up to 2 days under AlwaysLocate™ condition.

2.0 Antenna Advisor

“Antenna Advisor” is a brand new antenna system available exclusively for FGPMMOPA6H. It is designed to detect and notify antenna status using software (through proprietary protocol on **Chapter 3.2**).

Antenna Advisor can detect and notify the following:

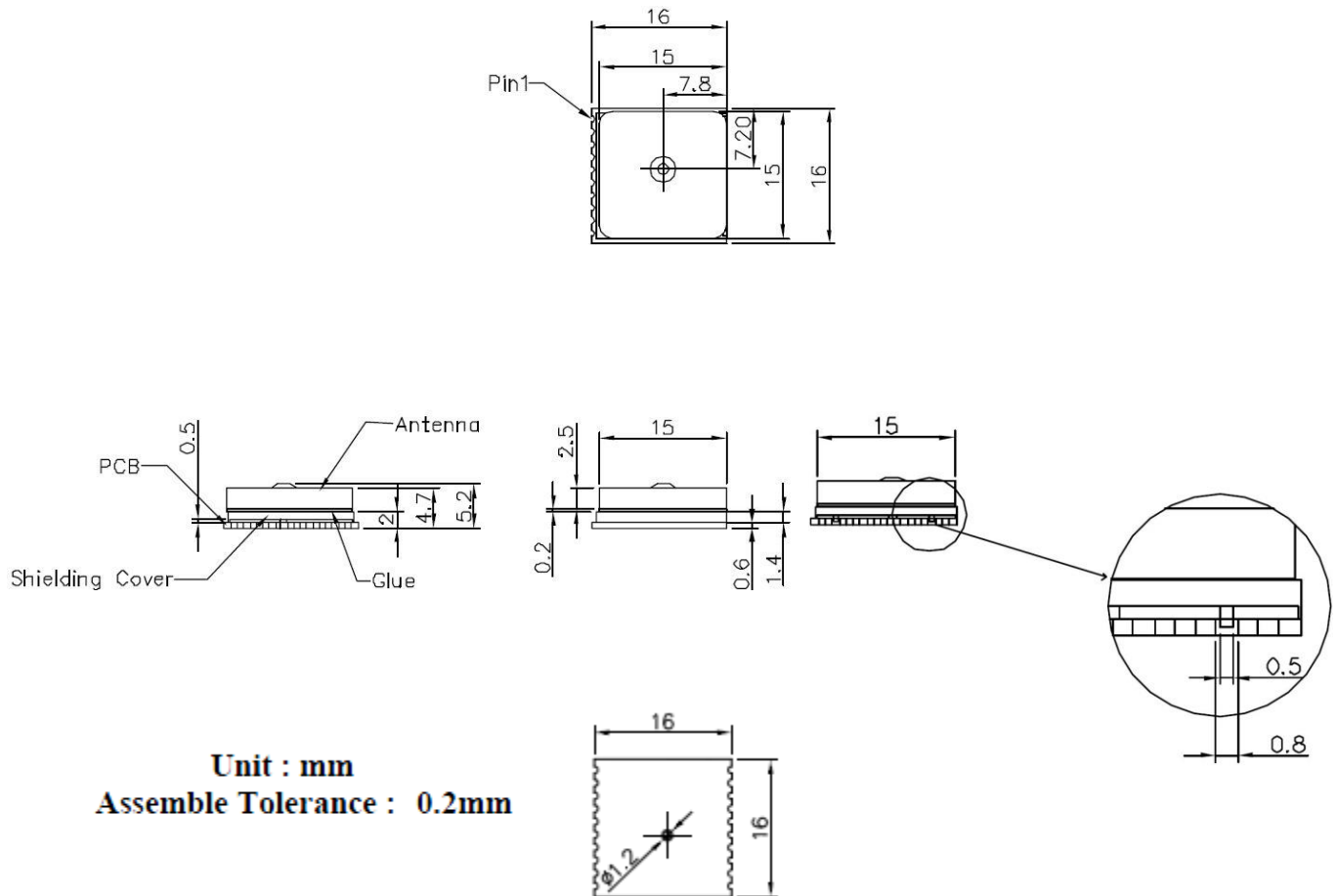
- Active Antenna Shorted
- Using Internal Antenna
- Using Active Antenna

This document is the exclusive property of AscenKorea Inc. and should not be distributed, reproduced, into any other format without prior permission of AscenKorea Inc. Specifications subject to change without prior notice.

2. Specifications

2.1 Mechanical Dimension

Dimension: (Unit: mm, Tolerance: +/- 0.2mm)



This document is the exclusive property of AscenKorea Inc. and should not be distributed, reproduced, into any other format without prior permission of AscenKorea Inc. Specifications subject to change without prior notice.

AscenKorea Inc.

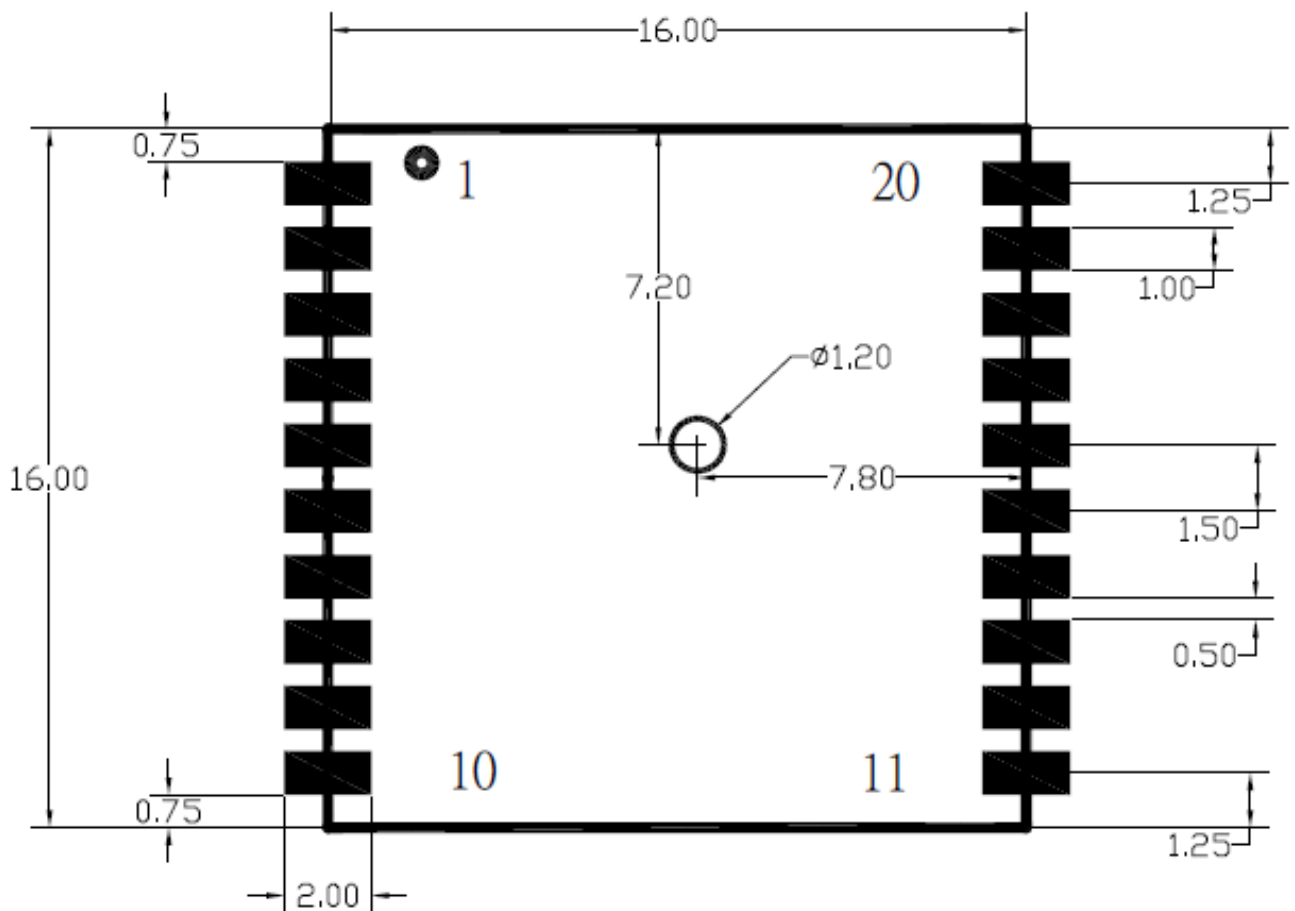
Rm. 710, 7F, Halla Sigma Valley B/D, Gasandigital 2Ro 53, Geumcheon-gu, Seoul, Korea
Tel: +82 02 1544 3818 Fax: +82 02 6499 2940 / www.AscenKorea.com / sales@ascen.co.kr

copyright © AscenKorea Inc. All right reserved

2.2 Recommended PCB pad Layout

(Unit: mm, Tolerance: 0.1mm)

FGPMMOPA6H Footprint



(Top view)

(Unit : mm, Tolerance : 0.1mm)

This document is the exclusive property of AscenKorea Inc. and should not be distributed, reproduced, into any other format without prior permission of AscenKorea Inc. Specifications subject to change without prior notice.

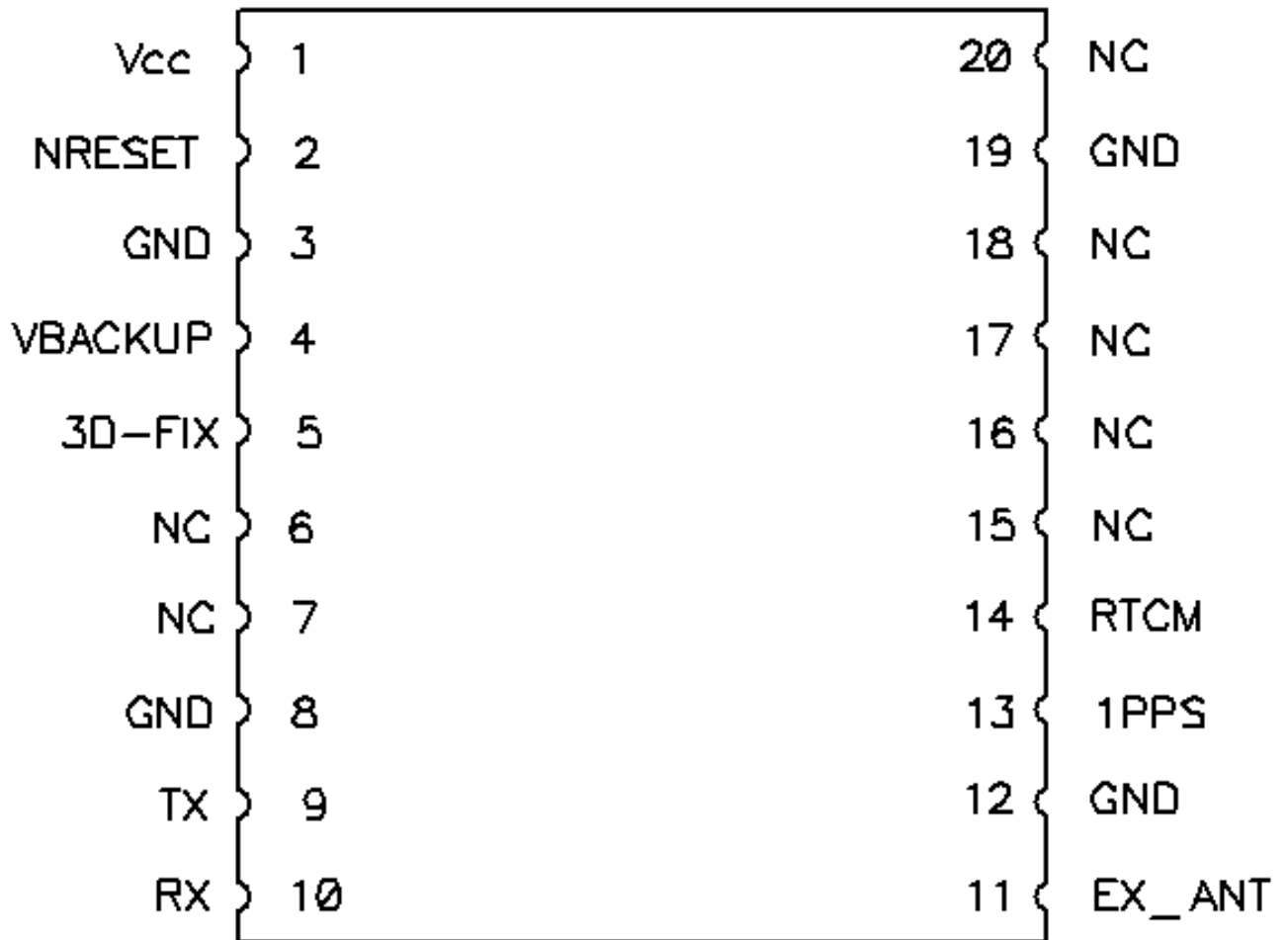
AscenKorea Inc.

Rm. 710, 7F, Halla Sigma Valley B/D, Gasandigital 2Ro 53, Geumcheon-gu, Seoul, Korea
Tel: +82 02 1544 3818 Fax: +82 02 6499 2940 / www.AscenKorea.com /sales@ascen.co.kr

copyright © AscenKorea Inc. All right reserved



2.3 Pin Configuration



(Top view)

This document is the exclusive property of AscenKorea Inc. and should not be distributed, reproduced, into any other format without prior permission of AscenKorea Inc. Specifications subject to change without prior notice.

AscenKorea Inc.

Rm. 710, 7F, Halla Sigma Velley B/D, Gasandigital 2Ro 53, Geumcheon-gu, Seoul, Korea
Tel: +82 02 1544 3818 Fax: +82 02 6499 2940 / www.AscenKorea.com / sales@ascen.co.kr

copyright © AscenKorea Inc. All right reserved



2.4 Pin Assignment

Pin	Name	I/O	Description & Note
1	VCC	PI	Main DC Power Input
2	NRESET	I	Reset Input, Low Active
3	GND	P	Ground
4	VBACKUP	PI	Backup Power Input for RTC & Navigation Data Retention
5	3D-FIX	O	3D-Fix Indicator
6	NC	--	Not Connect
7	NC	--	Not Connect
8	GND	P	Ground
9	TX	O	Serial Data Output for NMEA Output (UART TTL)
10	RX	I	Serial Data Input for Firmware Update (UART TTL)
11	EX_ANT	I PO	External active antenna RF input. DC power from VCC and provide for external active antenna.
12	GND	P	Ground
13	1PPS	O	1PPS Time Mark Output 2.8V CMOS Level
14	RTCM	I	Serial Data Input for DGPS RTCM Data Streaming
15	NC	--	Not Connect
16	NC	--	Not Connect
17	NC	--	Not Connect
18	NC	--	Not Connect
19	GND	P	Ground
20	NC	--	Not Connect

This document is the exclusive property of AscenKorea Inc. and should not be distributed, reproduced, into any other format without prior permission of AscenKorea Inc. Specifications subject to change without prior notice.

AscenKorea Inc.

Rm. 710, 7F, Halla Sigma Valley B/D, Gasandigital 2Ro 53, Geumcheon-gu, Seoul, Korea
Tel: +82 02 1544 3818 Fax: +82 02 6499 2940 / www.AscenKorea.com / sales@ascen.co.kr

copyright © AscenKorea Inc. All right reserved



2.5 Description of I/O Pin

VCC (Pin1)

The main DC power supply of the module, the voltage should be kept between from 3.0V to 4.3V. **(Typical: 3.3V). The Vcc ripple must be controlled under 50mV_{pp}**

NRESET (Pin2)

With a low level, it causes the module to reset. If not used, keep floating.

GND (Pin3, Pin8, Pin12, Pin19)

Ground

VBACKUP (Pin4)

This connects to the backup power of the GPS module. Power source (such as battery) connected to this pin will help the GPS chipset in keeping its internal RTC running when the main power source is turned off. The voltage should be kept between **2.0V~4.3V, Typical 3.0V**.

IF VBACKUP power was not reserved, the GPS module will perform a lengthy cold start every time it is powered-on because previous satellite information is not retained and needs to be re-transmitted.

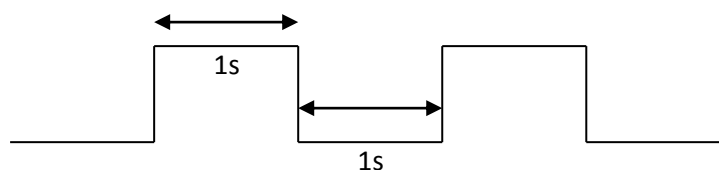
If not used, keep open.

3D-FIX (Pin5)

The 3D-FIX is assigned as a fix flag output. The timing behavior of this pin can be configured by custom firmware for different applications (Example: waking up host MCU). If not used, keep floating.

■ Before 2D Fix

The pin should continuously output one-second high-level with one-second low-level signal.



This document is the exclusive property of AscenKorea Inc. and should not be distributed, reproduced, into any other format without prior permission of AscenKorea Inc. Specifications subject to change without prior notice.



- After 2D or 3D Fix
The pin should continuously output low-level signal.
Low _____

NC (Pin6, Pin7, Pin15, Pin16, Pin17, Pin18, Pin20)

Not connect.

TX (Pin9)

This is the UART transmitter of the module. It outputs the GPS information for application.

RX (Pin10)

This is the UART receiver of the module. It is used to receive software commands and firmware update.

EX_ANT (Pin11)

DC power from VCC and provide for external active antenna (Recommendation: 3.3V).

When a 4mA or higher current is detected, the detect circuit will acknowledge the external antenna as being present and uses external antenna for reception.

In the event of short circuit occurring at external antenna, the module will limit the drawn current to a safe level.

The 3.0V for the GPS external antenna is limited to 25mA.

The 3.3V for the GPS external antenna is limited to 28mA.

The 3.6V for the GPS external antenna is limited to 31mA.

1PPS (Pin13)

This pin provides one pulse-per-second output from the module and synchronizes to GPS time.

Keep floating if not used.

RTCM (Pin14)

This pin receive DGPS data of RTCM protocol (TTL level), if not used keep floating'

RTCM is not enabled by default, please consult AscenKorea support to enable this feature.



2.6 Specification

	Description
GPS Solution	MTK MT3339
Frequency	L1, 1575.42MHz
Sensitivity	Acquisition: -148dBm, cold start Reacquisition: -163dBm, Hot start Tracking: -165dBm
Channel	66 channels
TTF	Hot start: 1 second typical Warm start: 33 seconds typical Cold start: 35 seconds typical (No. of SVs>4, C/N>40dB, PDop<1.5)
Position Accuracy	Without aid:3.0m (50% CEP) DGPS(SBAS(WAAS,EGNOS,MSAS, GAGAN*)):2.5m (50% CEP)
Velocity Accuracy	Without aid : 0.1m/s DGPS(SBAS(WAAS,EGNOS,MSAS, GAGAN*)):0.05m/s
Timing Accuracy (1PPS Output)	± 10ns RMS
Altitude	Maximum 18,000m (60,000 feet)
Velocity	Maximum 515m/s (1000 knots)
Acceleration	Maximum 4G
Update Rate	1Hz (default), maximum 10Hz
Baud Rate	9600 bps (default)
DGPS	SBAS(default) [QZSS,WAAS, EGNOS, MSAS, GAGAN*]
AGPS	Support
Power Supply	VCC: 3.0V to 4.3V ; VBACKUP: 2.0V to 4.3V
Current Consumption @ 3.3V, 1Hz Update Rate	25mA acquisition, 20mA tracking
Backup Power Consumption@ 3V	7uA(TYP)
Power Saving (Periodic)	1.63mA (TYP) Standby mode
Working Temperature	-40 °C to +85 °C
Dimension	16 x 16x 4.7mm, SMD
Weight	4g

*GAGAN will be supported.

This document is the exclusive property of AscenKorea Inc. and should not be distributed, reproduced, into any other format without prior permission of AscenKorea Inc. Specifications subject to change without prior notice.

AscenKorea Inc.

Rm. 710, 7F, Halla Sigma Velley B/D, Gasandigital 2Ro 53, Geumcheon-gu, Seoul, Korea
Tel: +82 02 1544 3818 Fax: +82 02 6499 2940 / www.AscenKorea.com /sales@ascen.co.kr

copyright © AscenKorea Inc. All right reserved



2.7 Absolute Maximum Ratings

The voltage applied for VCC should not exceed 4.3VDC.

	Symbol	Min.	Typ.	Max.	Unit
Power Supply Voltage	VCC	3.0	3.3	4.3	V
Backup battery Voltage	VBACKUP	2.0	3.0	4.3	V

2.8 Operating Conditions

	Condition	Min.	Typ.	Max.	Unit
Operation supply Ripple Voltage	—	—	—	50	mVpp
RX0 TTL H Level	—	2.0	—	3.3	V
RX0 TTL L Level	—	0	—	0.8	V
TX0 TTL H Level	—	2.4	—	2.8	V
TX0 TTL L Level	—	0	—	0.4	V

2.9 GPS External Antenna Specification (Recommended)

It is important that the antenna gets a clear view of the sky and is positioned on a surface level to the horizon for best results. The following specification has to meet for the use reference design.

Characteristic	Specification
Polarization	Right-hand circular polarized
Frequency Received	1.57542GHz +/- 1.023MHz
Power Supply	3V to 3.6V
DC Current	4mA ~ 20mA at 3.3V
Total Gain	>+ 15dBi (Two-stage LNA)
Output VSWR	< 2.5
Impedance	50ohm
Noise Figure	< 1.5dB

This document is the exclusive property of AscenKorea Inc. and should not be distributed, reproduced, into any other format without prior permission of AscenKorea Inc. Specifications subject to change without prior notice.

AscenKorea Inc.

Rm. 710, 7F, Halla Sigma Valley B/D, Gasandigital 2Ro 53, Geumcheon-gu, Seoul, Korea
Tel: +82 02 1544 3818 Fax: +82 02 6499 2940 / www.AscenKorea.com / sales@ascen.co.kr

copyright © AscenKorea Inc. All right reserved



3. Protocols

3.1 NMEA Output Sentences

Table-1 lists each of the NMEA output sentences specifically developed and defined by MTK for use within MTK products

Table-1: NMEA Output Sentence	
Option	Description
GGA	Time, position and fix type data.
GSA	GPS receiver operating mode, active satellites used in the position solution and DOP values.
GSV	The number of GPS satellites in view satellite ID numbers, elevation, azimuth, and SNR values.
RMC	Time, date, position, course and speed data. The recommended minimum navigation information.
VTG	Course and speed information relative to the ground.



GGA—Global Positioning System Fixed Data. Time, Position and fix related data

Table-2 contains the values for the following example:

\$GPGGA,064951.000,2307.1256,N,12016.4438,E,1,8,0.95,39.9,M,17.8,M,,*65

Table-2: GGA Data Format			
Name	Example	Units	Description
Message ID	\$GPGGA		GGA protocol header
UTC Time	064951.000		hhmmss.sss
Latitude	2307.1256		ddmm.mmmm
N/S Indicator	N		N→North or S→South
Longitude	12016.4438		dddmm.mmmm
E/W Indicator	E		E→East or W→West
Position Fix Indicator	1		See Table-3
Satellites Used	8		
HDOP	0.95		Horizontal Dilution of Precision
MSL Altitude	39.9	meters	Antenna Altitude above/below mean-sea-level
Units	M	meters	Units of antenna altitude
Geoidal Separation	17.8	meters	
Units	M	meters	Units of geoids separation
Age of Diff. Corr.		second	Null fields when DGPS is not used
Checksum	*65		
<CR> <LF>			End of message termination

Table-3: Position Fix Indicator	
Value	Description
0	Fix not available
1	GPS fix
2	Differential GPS fix

This document is the exclusive property of AscenKorea Inc. and should not be distributed, reproduced, into any other format without prior permission of AscenKorea Inc. Specifications subject to change without prior notice.



GSA—GNSS DOP and Active Satellites

Table-4 contains the values for the following example:

\$GPGSA,A,3,29,21,26,15,18,09,06,10,,,,,2.32,0.95,2.11*00

Table-4: GSA Data Format			
Name	Example	Units	Description
Message ID	\$GPGSA		GSA protocol header
Mode 1	A		See Table-5
Mode 2	3		See Table-6
Satellite Used	29		SV on Channel 1
Satellite Used	21		SV on Channel 2
....
Satellite Used			SV on Channel 12
PDOP	2.32		Position Dilution of Precision
HDOP	0.95		Horizontal Dilution of Precision
VDOP	2.11		Vertical Dilution of Precision
Checksum	*00		
<CR> <LF>			End of message termination

Table-5: Mode 1	
Value	Description
M	Manual—forced to operate in 2D or 3D mode
A	2D Automatic—allowed to automatically switch 2D/3D

Table-6: Mode 2	
Value	Description
1	Fix not available
2	2D (< 4 SVs used)
3	3D (≥ 4 SVs used)

This document is the exclusive property of AscenKorea Inc. and should not be distributed, reproduced, into any other format without prior permission of AscenKorea Inc. Specifications subject to change without prior notice.



GSV—GNSS Satellites in View

Table-7 contains the values for the following example:

\$GPGSV,4,1,15,29,36,029,42,21,46,314,43,26,44,020,43,15,21,321,39*7D

\$GPGSV,4,2,15,18,26,314,40,09,57,170,44,06,20,229,37,10,26,084,37*77

\$GPGSV,4,3,15,07,,,26*73

Table-7: GSV Data Format			
Name	Example	Units	Description
Message ID	\$GPGSV		GSV protocol header
Number of Messages	4		<i>(Depending on the number of satellites tracked, multiple messages of GSV data may be required.)</i> ^(Note 4)
Message Number	1		
Satellites in View	15		
Satellite ID	29		Channel 1 (Range 1 to 32)
Elevation	36	degrees	Channel 1 (Maximum 90)
Azimuth	029	degrees	Channel 1 (True, Range 0 to 359)
SNR (C/No)	42	dBHz	Range 0 to 99, (null when not tracking)
....
Satellite ID	15		Channel 4 (Range 1 to 32)
Elevation	21	degrees	Channel 4 (Maximum 90)
Azimuth	321	degrees	Channel 4 (True, Range 0 to 359)
SNR (C/No)	39	dBHz	Range 0 to 99, (null when not tracking)
Checksum	*7D		
<CR> <LF>			End of message termination

(Note4): The maximum every GSV sentence only include information for 4 SVs.



RMC—Recommended Minimum Navigation Information

Table-8 contains the values for the following example:

\$GPRMC,064951.000,A,2307.1256,N,12016.4438,E,0.03,165.48,260406,3.05,W,A*2C

Table-8: RMC Data Format			
Name	Example	Units	Description
Message ID	\$GPRMC		RMC protocol header
UTC Time	064951.000		hhmmss.sss
Status	A		A→data valid or V→data not valid
Latitude	2307.1256		ddmm.mmmm
N/S Indicator	N		N→North or S→South
Longitude	12016.4438		dddmm.mmmm
E/W Indicator	E		E→East or W→West
Speed over Ground	0.03	knots	
Course over Ground	165.48	degrees	True
Date	260406		ddmmyy
Magnetic Variation	3.05, W	degrees	E→East or W→West (Needs AscenKorea Customization Service)
Mode	A		A→ Autonomous mode D→Differential mode E→Estimated mode
Checksum	*2C		
<CR> <LF>			End of message termination

This document is the exclusive property of AscenKorea Inc. and should not be distributed, reproduced, into any other format without prior permission of AscenKorea Inc. Specifications subject to change without prior notice.



VTG—Course and speed information relative to the ground

Table-9 contains the values for the following example:

\$GPVTG,165.48,T,,M,0.03,N,0.06,K,A*37

Table-9: VTG Data Format			
Name	Example	Units	Description
Message ID	\$GPVTG		VTG protocol header
Course	165.48	degrees	Measured heading
Reference	T		True
Course		degrees	Measured heading
Reference	M		Magnetic Variation (Needs AscenKorea Customization Service)
Speed	0.03	knots	Measured horizontal speed
Units	N		Knots
Speed	0.06	km/hr	Measured horizontal speed
Units	K		Kilometers per hour
Mode	A		A → Autonomous mode D → Differential mode E → Estimated mode
Checksum	*37		
<CR> <LF>			End of message termination

This document is the exclusive property of AscenKorea Inc. and should not be distributed, reproduced, into any other format without prior permission of AscenKorea Inc. Specifications subject to change without prior notice.



3.2 Antenna Status Protocol (Antenna Advisor)

The function is for external active antenna only.

PGTOP—Status of antenna

Table-12 contains the values for the following example:

\$PGTOP,11,3 *6F

Table-12: PGACK Data Format			
Name	Example	Units	Description
Message ID	\$PGTOP		Protocol header
Command ID	11		Function Type
Reference	3		Value of antenna status

Example:

\$PGTOP,11,value*checksum

Value: 1=>Active Antenna Shorted

2=>Using Internal Antenna

3=>Using Active Antenna

3.3 MTK NMEA Command Protocols

Packet Type:

103 PMTK_CMD_COLD_START

Packet Meaning:

Cold Start : Don't use Time, Position, Almanacs and Ephemeris data at re-start.

Example:

\$PMTK103*30<CR><LF>

This document is the exclusive property of AscenKorea Inc. and should not be distributed, reproduced, into any other format without prior permission of AscenKorea Inc. Specifications subject to change without prior notice.

AscenKorea Inc.

Rm. 710, 7F, Halla Sigma Velley B/D, Gasandigital 2Ro 53, Geumcheon-gu, Seoul, Korea
Tel: +82 02 1544 3818 Fax: +82 02 6499 2940 / www.AscenKorea.com /sales@ascen.co.kr

copyright © AscenKorea Inc. All right reserved

3.4 Firmware Customization Services

AscenKorea also offers flexible, value-adding GPS firmware customization services that maximize the overall system efficiencies and power consumptions. To find out the latest features like Binary Mode, One-Sentence Output, Geo-fencing and Last Position Retention, please visit our website at www.AscenKorea.com.

Note that not all firmware customization services listed below are supported for all products. Please contact AscenKorea sales representatives or technical support for more details.



Ascen GPS
GPS전문기업 (주)아센코리아

AscenKorea Firmware Customization Services

AGPS
fast position fix with preloaded ephemeris

BINARY MODE
outputs position in binary format for increase efficiency

PERIODIC MODE
Saves battery by powering off unused components

DISTANCE CALCULATION
calculates line of sight distance between receiver and other points of interest

TIMING MODE
advanced 1 PPS control for synchronization equipments

DATA LOGGER SOLUTION
turns GPS receiver into data logger with additional flash memory

10 Hz UPDATE
fast refresh rate for high speed applications

LAST POSITION RETENTION
outputs last known position coordinates after losing GPS satellite fix

ONE SENTENCE
decreases calculation load on processor by simplifying output NMEA sentences

MEDIATEK MT3329

This document is the exclusive property of AscenKorea Inc. and should not be distributed, reproduced, into any other format without prior permission of AscenKorea Inc. Specifications subject to change without prior notice.

AscenKorea Inc.

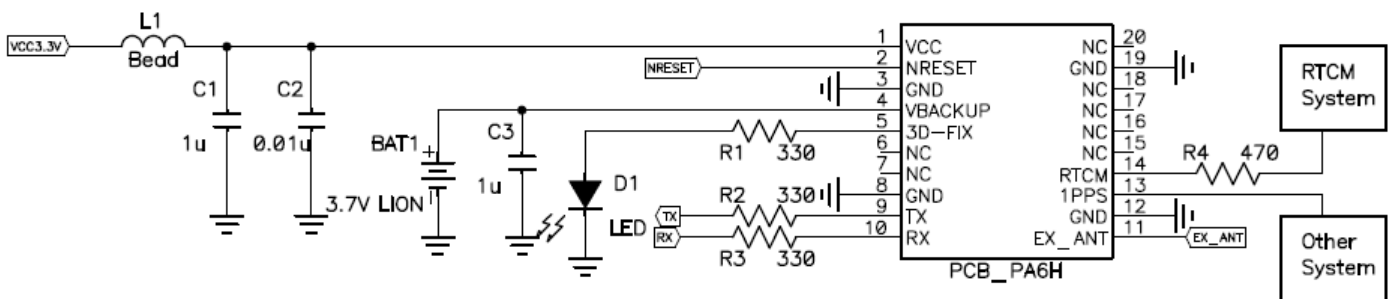
Rm. 710, 7F, Halla Sigma Valley B/D, Gasandigital 2Ro 53, Geumcheon-gu, Seoul, Korea
Tel: +82 02 1544 3818 Fax: +82 02 6499 2940 / www.AscenKorea.com / sales@ascen.co.kr

copyright © AscenKorea Inc. All right reserved

4. Reference Design

This chapter introduces the reference schematic design for the best performance. Additional tips and cautions on design are well documented on Application Note, which is available upon request.

4.1 Reference Design Circuit



Note:


1. Ferrite bead L1 is added for power noise reduction.
2. C1 and C2 bypass should be put near the module.
3. Damping resistors R2, R3, R4 could be modified based on system application for EMI.
4. If you need more support and information on antenna implementation, please contact us at sales@ascen.co.kr.



5. Packing and Handling

FGPMMOPA6H, like any other SMD devices, is sensitive to moisture, electrostatic discharge, and temperature. By following the standards outlined in this document for AscenKorea module storage and handling, the chances of them being damaged during production set-up can be reduced. This section will walk you through the basics on how AscenKorea packages its modules to ensure they arrive at their destination without any damages and deterioration to performance quality. It includes cautionary notes for prior to the surface mount process.

 Please read the sections II to V carefully to avoid permanent damages due to moisture intake.

 GPS receiver modules contain highly sensitive electronic circuits and are electronic sensitive devices. Improper handling without ESD protections may lead to permanent damages to the modules. Please read section VI for more details.

5.1 Moisture Sensitivity

AscenKorea modules are moisture sensitive, and must be pre-baked before going through the solder reflow process. It is important to know that:

AscenKorea GPS modules must complete solder reflow process in 72 hours after pre-baking.

This maximum time is otherwise known as “Floor Life”

If the waiting time has exceeded 72 hours, it is possible for the module to suffer damages during the solder reflow process such as cracks and delamination of the SMD pads due to excess moisture pressure.

This document is the exclusive property of AscenKorea Inc. and should not be distributed, reproduced, into any other format without prior permission of AscenKorea Inc. Specifications subject to change without prior notice.

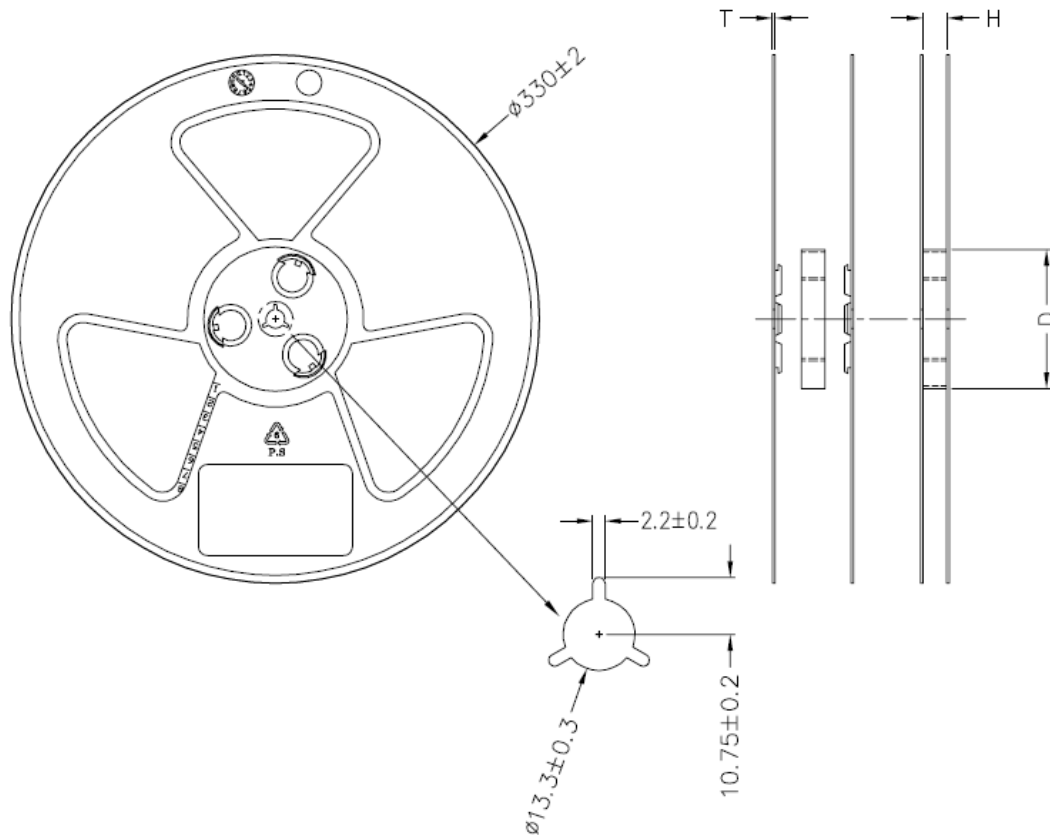
AscenKorea Inc.

Rm. 710, 7F, Halla Sigma Velley B/D, Gasandigital 2Ro 53, Geumcheon-gu, Seoul, Korea
Tel: +82 02 1544 3818 Fax: +82 02 6499 2940 / www.AscenKorea.com /sales@ascen.co.kr

copyright © AscenKorea Inc. All right reserved

5.2 Tape Reel Packing Information

250pcs/Reel

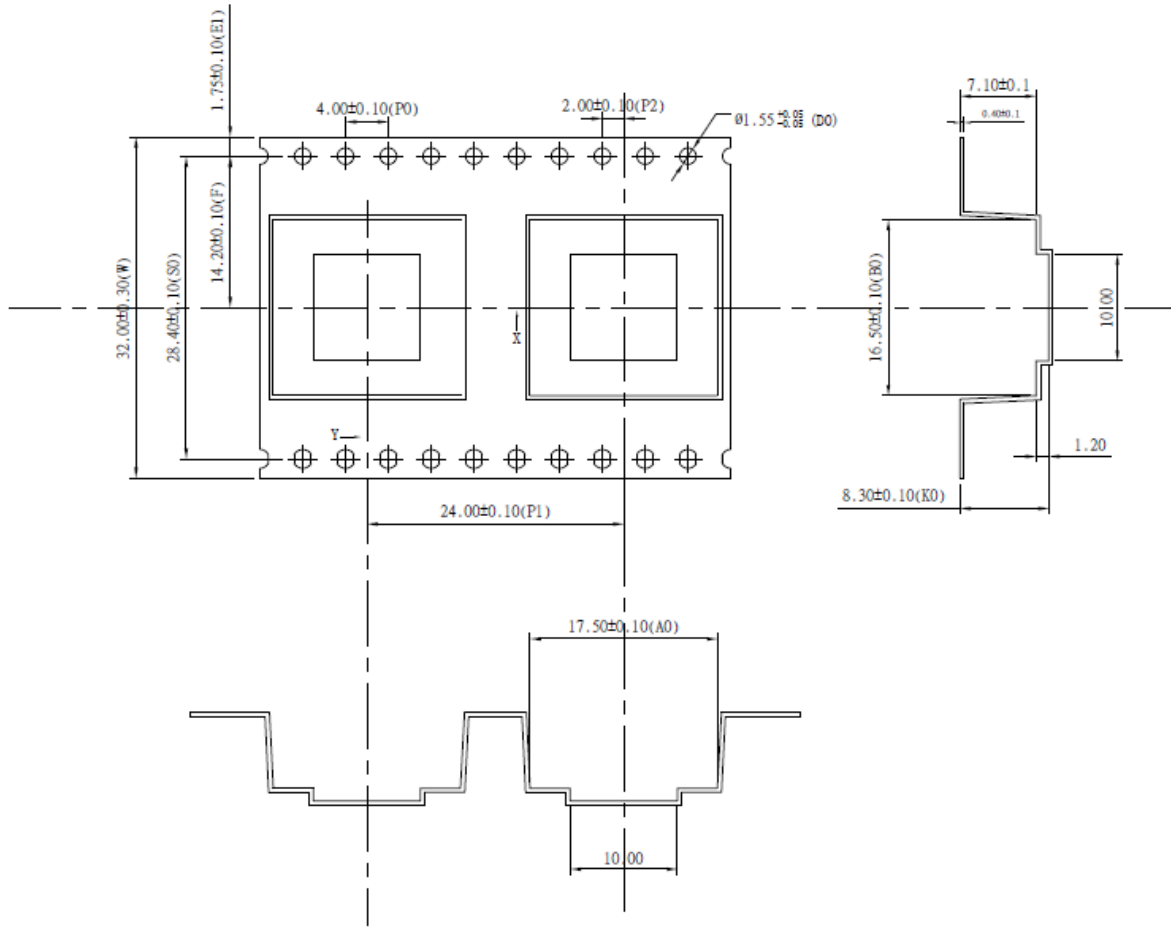


Spec: H: 32.5 ± 1.5 , T: 2.2 ± 0.2 , D: 99 ± 1.5

Note: 13" Reel, Material : P.S

Unit: (mm)

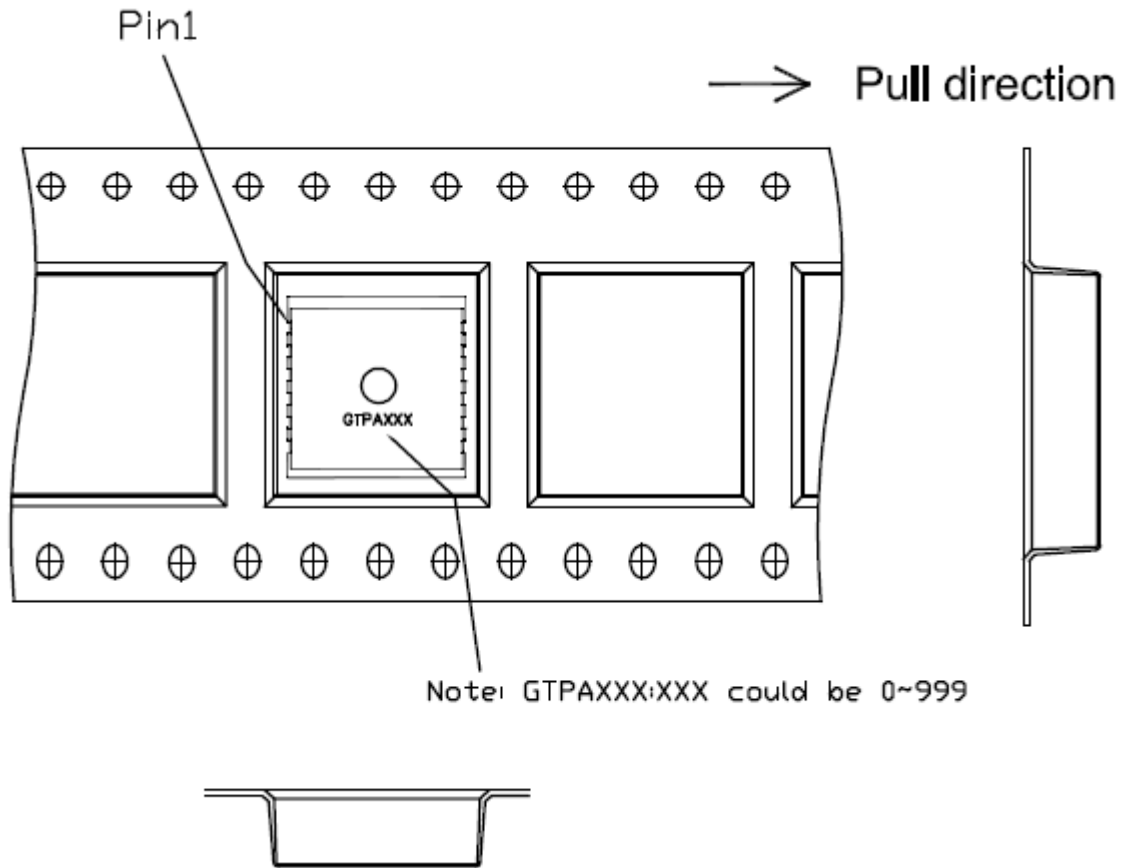
Figure 1: Reel Dimension



A0	17.5±0.10
B0	16.5±0.10
K0	8.3±0.10

Unit: (mm)

Figure 2: Tape Dimension



Roll up direction:

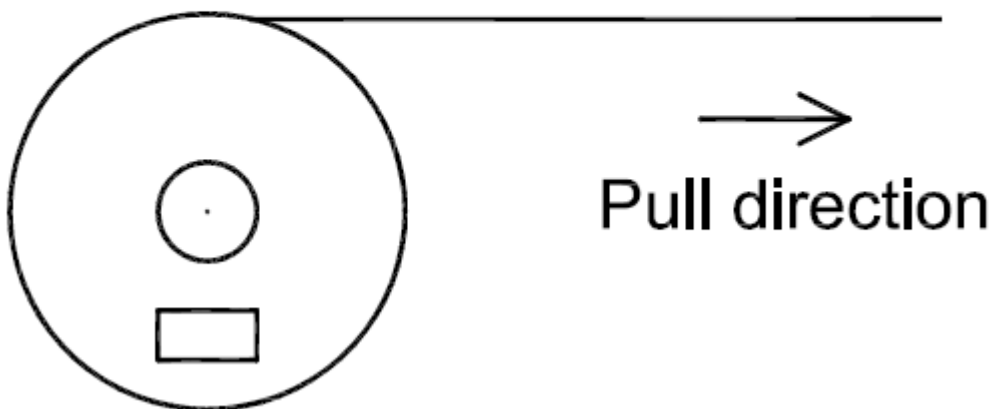


Figure 3: Tape Orientation

This document is the exclusive property of AscenKorea Inc. and should not be distributed, reproduced, into any other format without prior permission of AscenKorea Inc. Specifications subject to change without prior notice.

AscenKorea Inc.

Rm. 710, 7F, Halla Sigma Valley B/D, Gasandigital 2Ro 53, Geumcheon-gu, Seoul, Korea
Tel: +82 02 1544 3818 Fax: +82 02 6499 2940 / www.AscenKorea.com / sales@ascen.co.kr

copyright © AscenKorea Inc. All right reserved

The moisture color coded card provides an insight to the relative humidity in percentage (RH). When the GPS modules are taken out, it should be around or lower than 30% RH level.

Outside each electrostatic bag is a caution label for moisture sensitive device.

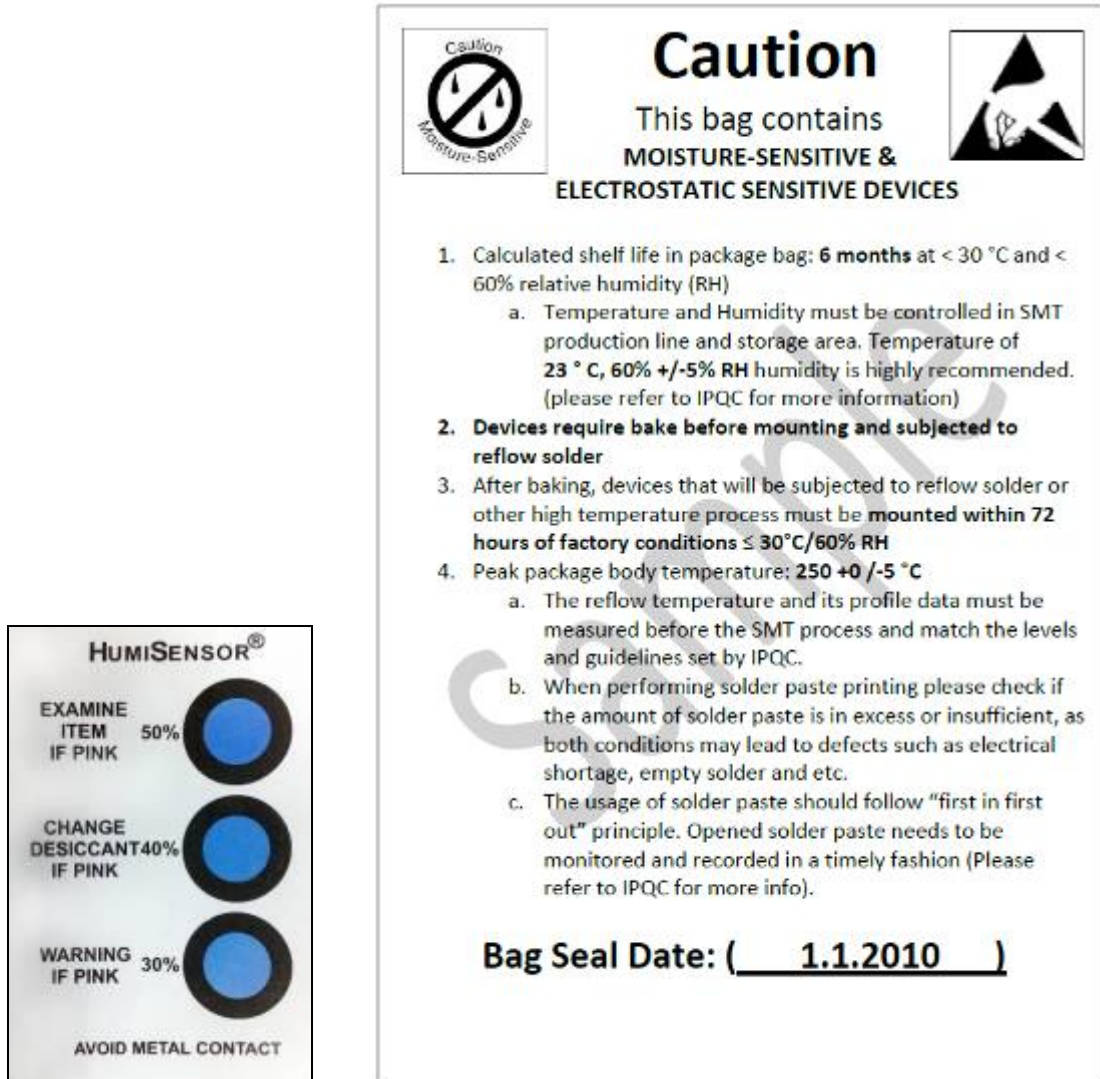


Figure 4: Example of moisture color coded card and caution label



5.3 Storage and Floor Life Guideline

Since AscenKorea modules must undergo solder-reflow process in 72 hours after it has gone through pre-baking procedure, therefore if it is not used by then, it is recommended to store the GPS modules in dry places such as dry cabinet.

The approximate shelf life for AscenKorea GPS modules packages is 6 months from the bag seal date, when store in a non-condensing storage environment (<30°C/60% RH)

⚠ It is important to note that it is a required process for AscenKorea GPS modules to undergo pre-baking procedures, regardless of the storage condition.

5.4 Drying

When GPS modules exposed to high temperature of solder reflow, the moisture vapor pressure inside the GPS modules increase greatly. In order to prevent internal delaminating, cracking of the device or the “popcorn” phenomenon, to undergo pre-baking procedure become necessary prior to any high temperature or solder reflow process.

The recommended baking time for AscenKorea GPS module is as follows:

- ✓ **60°C for 8 to 12 hours**

Once baked, the module’s floor life will be “reset”, and has additional 72 hours in normal factory condition to undergo solder reflow process.

⚠ Please limit the number of times the GPS modules undergoes baking processes as repeated baking process has an effect of reducing the wetting effectiveness of the SMD pad contacts. This applies to all SMT devices.

⚠ Oxidation Risk: Baking SMD packages may cause oxidation and/or intermetallic growth of the terminations, which if excessive, can result in solderability problems during board assembly. The temperature and time for baking SMD packages are therefore limited by solderability considerations. The cumulative bake time at a temperature greater than 90°C and up to 125°C shall not exceed 96 hours. Bake temperatures higher than 125°C are not allowed.

This document is the exclusive property of AscenKorea Inc. and should not be distributed, reproduced, into any other format without prior permission of AscenKorea Inc. Specifications subject to change without prior notice.



5.5 ESD Handling



Please carefully follow the following precautions to prevent severe damage to GPS modules.

AscenKorea GPS modules are sensitive to electrostatic discharges, and thus are Electrostatic Sensitive Devices (ESD). Careful handling of the GPS modules particularly to its patch antenna (if included) and RF_IN pin. Please follow the standard ESD safety practices stated below:

- ✓ Unless there is a galvanic coupling between the local GND and the PCB GND, then the first point of contact when handling the PCB shall always be between the local GND and PCB GND.
- ✓ Before working with RF_IN pin, please make sure the GND is connected
- ✓ When working with RF_IN pin, do not contact any charged capacitors or materials that can easily develop or store charges such as patch antenna, coax cable, soldering iron.
- ✓ Please do not touch the mounted patch antenna to prevent electrostatic discharge from the RF input
- ✓ When soldering RF_IN pin, please make sure to use an ESD safe soldering iron tip.

This document is the exclusive property of AscenKorea Inc. and should not be distributed, reproduced, into any other format without prior permission of AscenKorea Inc. Specifications subject to change without prior notice.

AscenKorea Inc.

Rm. 710, 7F, Halla Sigma Velley B/D, Gasandigital 2Ro 53, Geumcheon-gu, Seoul, Korea
Tel: +82 02 1544 3818 Fax: +82 02 6499 2940 / www.AscenKorea.com / sales@ascen.co.kr

copyright © AscenKorea Inc. All right reserved



6. Reflow Soldering Temperature Profile

The following reflow temperature profile was evaluated by AscenKorea and has been proven to be reliable qualitatively. Please contact us beforehand if you plan to solder this component using a deviated temperature profile as it may cause significant damage to our module and your device.

All the information in this sheet can only be used only for Pb-free manufacturing process.

6.1 SMT Reflow Soldering Temperature Profile (Reference Only)

Average ramp-up rate (25 ~ 150°C): 3°C/sec. max.

Average ramp-up rate (270°C to peak): 3°C/sec. max.

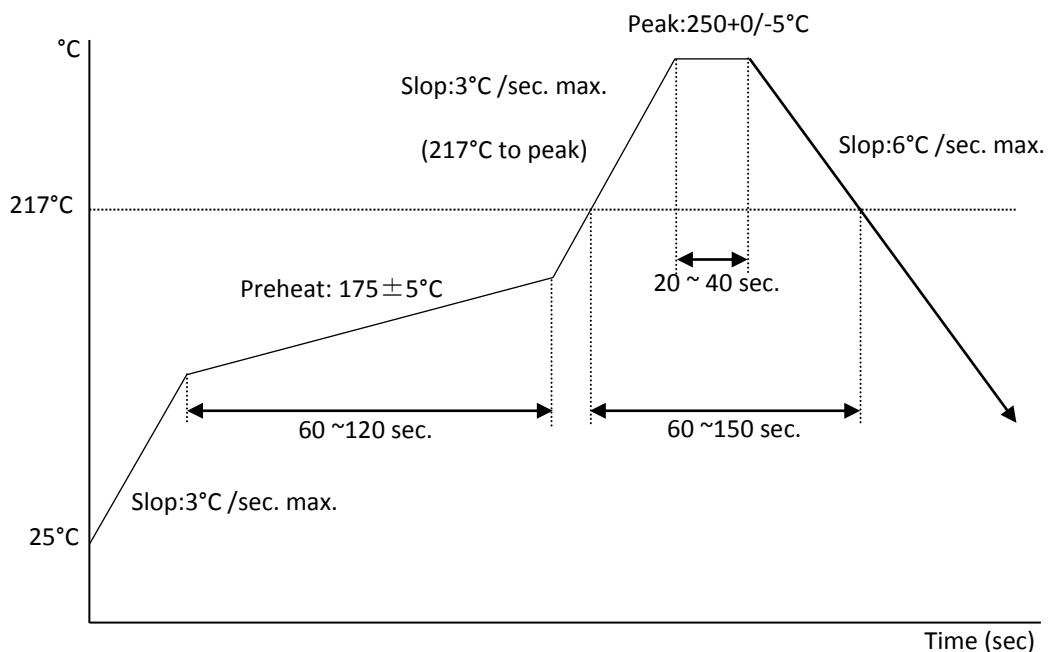
Preheat: 175 ± 25°C, 60 ~ 120 seconds

Temperature maintained above 217°C: 60~150 seconds

Peak temperature: 250 +0/-5°C, 20~40 seconds

Ramp-down rate: 6°C/sec. max.

Time 25°C to peak temperature: 8 minutes max.



This document is the exclusive property of AscenKorea Inc. and should not be distributed, reproduced, into any other format without prior permission of AscenKorea Inc. Specifications subject to change without prior notice.

AscenKorea Inc.

Rm. 710, 7F, Halla Sigma Valley B/D, Gasandigital 2Ro 53, Geumcheon-gu, Seoul, Korea
Tel: +82 02 1544 3818 Fax: +82 02 6499 2940 / www.AscenKorea.com / sales@ascen.co.kr

copyright © AscenKorea Inc. All right reserved



	Details	Suggestions	Notes
1	Before proceeding with the reflow-soldering process, the GPS module must be pre-baked.	Pre-bake Time: 6 Hours @ 60°±5°C or 4 Hours @ 70°±5°C	The maximum tolerated temperature for the tray is 100°C. After the pre-baking process, please make sure the temperature is sufficiently cooled down to 35°C or below in order to prevent any tray deformation.
2	Because PCBA (along with the patch antenna) is highly endothermic during the reflow-soldering process. Extra care must be paid to the GPS module's solder joints if any signs of cold weld(ing) or false welding.	The parameters of the reflow temperature must be set accordingly to module's reflow-soldering temperature profile.	Double check to see if the surrounding components around the GPS module are displaying symptoms of cold weld(ing) or false welding.
3	Special attentions are needed for PCBA board during reflow-soldering to see if there are any symptoms of bending or deformation to the PCBA board, possibly due to the weight of the module. If so, this will cause concerns at the latter half of the production process.	A loading carrier fixture must be used with PCBA if the reflow soldering process is using rail conveyors for the production.	If there is any bending or deformation to the PCBA board, this might causes the PCBA to collide into one another during the unloading process.
4	Before the PCBA is undergoing a reflow-soldering process, the production operators must check with own eyes to see if there are positional offset to the module, because it will be difficult to readjust after the module has gone through reflow-soldering process.	The operators must check with own eyes and readjust the position before reflow-soldering process.	If the operator is planning to readjust the module position, please do not touch the patch antenna while the module is hot in order to prevent rotational offset between the patch antenna and module

Note: References to patch antenna is referred to GPS modules with integrated Patch-on-top antennas (PA/Gms Module Series), and may not be applicable to all GPS modules.

This document is the exclusive property of AscenKorea Inc. and should not be distributed, reproduced, into any other format without prior permission of AscenKorea Inc. Specifications subject to change without prior notice.

AscenKorea Inc.

Rm. 710, 7F, Halla Sigma Velley B/D, Gasandigital 2Ro 53, Geumcheon-gu, Seoul, Korea
Tel: +82 02 1544 3818 Fax: +82 02 6499 2940 / www.AscenKorea.com /sales@ascen.co.kr

copyright © AscenKorea Inc. All right reserved



	Details	Suggestions	Notes
5	Before handling the PCBA, they must be cooled to 35°C or below after they have undergone a reflow-soldering process, in order to prevent positional shift which may occurred when the module is still hot.	<ol style="list-style-type: none"> 1. One may use electric fans behind the reflow machine to cool them down. 2. Cooling the PCBA can prevent the module from shifting due to fluid effect. 	It is very easy to cause positional offset to the module and its patch antenna when handling the PCBA under high temperature.
6	<ol style="list-style-type: none"> 1. When separating the PCBA panel into individual pieces using the V-Cut process, special attentions are needed to ensure that there are sufficient gap between patch antennas. 2. If V-Cut process is not available and the pieces must be separated manually, please make sure the operators are not using excess force which may cause rotational offset to the patch antennas. 	<ol style="list-style-type: none"> 1. The blade and the patch antenna must have a distance gap greater than 0.6mm. 2. Do not use patch antenna as the leverage point when separating the panels by hand. 	<ol style="list-style-type: none"> 1. Test must be performed first to determine if V-Cut process is going to be used. Ensure that there is enough space between the blade and the patch antenna so that they do not touch one another. 2. An uneven amount of manual force applied to the separation will likely to cause positional shift in patch antenna and module.
7	When separating panel into individual pieces during latter half of the production process, special attentions are needed to ensure the patch antennas do not come in contact with one another in order to prevent chipped corners or positional shifts.	Use tray to separate individual pieces.	It is possible to chip corner and/or cause a shift in position if patch antennas come in contact with each other.

Note: References to patch antenna is referred to GPS modules with integrated Patch-on-top antennas (PA/Gms Module Series), and may not be applicable to all GPS modules.

This document is the exclusive property of AscenKorea Inc. and should not be distributed, reproduced, into any other format without prior permission of AscenKorea Inc. Specifications subject to change without prior notice.

AscenKorea Inc.

Rm. 710, 7F, Halla Sigma Valley B/D, Gasandigital 2Ro 53, Geumcheon-gu, Seoul, Korea
Tel: +82 02 1544 3818 Fax: +82 02 6499 2940 / www.AscenKorea.com /sales@ascen.co.kr

copyright © AscenKorea Inc. All right reserved

Other Cautionary Notes on Reflow-Soldering Process:

1. Module must be pre-baked **before** going through SMT solder reflow process.
2. The usage of solder paste should follow “First-in-First out” principle. Opened solder paste needs to be monitored and recorded in a timely manner (refer to IPQC standards for related documentation and examples).
3. Temperature and humidity must be controlled within SMT production line and storage area. Temperature of 23°C, 60±5% RH humidity is recommended. (please refer to IPQC standards for related documentation and examples)
4. When performing solder paste printing, please notice if the amount of solder paste is in excess or insufficient, as both conditions may lead to defects such as electrical shortage, empty solder and etc.
5. Make sure the vacuum mouthpiece is able to bear the weight of the GPS module to prevent positional shift during the loading process.
6. Before the PCBA is going through the reflow-soldering process, the operators should check with his/her own eyes to see if there are positional offset to the module.
7. The reflow temperature and its profile data must be measured before the SMT process and match the levels and guidelines set by IPQC.
8. If SMT protection line is running a double-sided process for PCBA, please process GPS module during the second pass only to avoid repeated reflow exposures of the GPS module. Please contact AscenKorea beforehand if you must process GPS module during the 1st pass of double-side process.

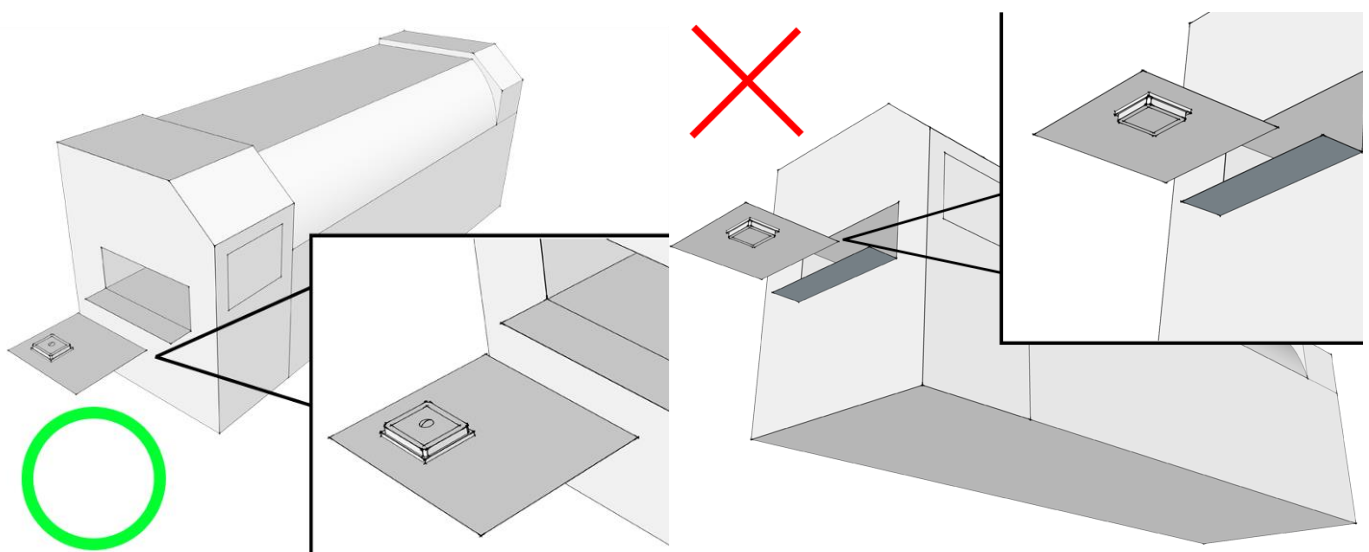


Figure 5: Place GPS module right-side up when running reflow-solder process, do not invert.

This document is the exclusive property of AscenKorea Inc. and should not be distributed, reproduced, into any other format without prior permission of AscenKorea Inc. Specifications subject to change without prior notice.



6.2 Manual Soldering

Soldering iron:

Heat temperature: under 380°C | Time: under 3 sec.

Notes:

1. Please do not directly touch the soldering pads on the surface of the PCB board to prevent further oxidation
2. The solder paste must be defrosted to room temperature before use so it can return to its optimal working temperature. The time required for this procedure is unique and dependent on the properties of the solder paste used.
3. The steel plate must be properly assessed before and after use, so its measurement stays strictly within the specification set by SOP.
4. Please watch out for the spacing between soldering joint, as excess solder may cause electrical shortage
5. Please exercise with caution and do not use extensive amount of flux due to possible siphon effects on neighboring components, which may lead to electrical shortage.
6. Please do not use the heat gun for long periods of time when removing the shielding or inner components of the GPS module, as it is very likely to cause a shift to the inner components and will leads to electrical shortage.

7. Contact Information

AscenKorea Technology Inc.

Address: RM 710, Halla Sigma Valley 7F, Gasandigital 2Ro 53 Geumcheongu, Seoul, Korea.

Tel: +82-2-1544-3818

Fax: +82-2-6499-2940

Website: www.ascenkorea.com

Email: sales@ascen.co.kr

This document is the exclusive property of AscenKorea Inc. and should not be distributed, reproduced, into any other format without prior permission of AscenKorea Inc. Specifications subject to change without prior notice.

AscenKorea Inc.

Rm. 710, 7F, Halla Sigma Valley B/D, Gasandigital 2Ro 53, Geumcheon-gu, Seoul, Korea
Tel: +82 02 1544 3818 Fax: +82 02 6499 2940 / www.AscenKorea.com / sales@ascen.co.kr

copyright © AscenKorea Inc. All right reserved